

Power Stud to Distribution Blocks

600 Volts AC/DC

Specifications:

- Connector, High Conductive Aluminum, Tin Plated, Rated for Copper and Aluminum Wire
- Stud, Brass, Tin Plated, Metric (M) Studs, Steel - intended for wires terminated with crimp lugs
- Rated for multiple wire lugs, where applicable
- Multiple wire rating - refer to datasheets for details
- UL Recognized File No. XCFR2.E62806
- CSA Certified File No. LR19766
- CE - Up to 1000 Volts AC/DC
- Flexible Stranded Wire Compliant
- RoHS Compliant



1333270



1333273 CH

Replace "X" with # of poles

Catalog #	Hinge Cover	Poles (X)	Amps	MATERIAL		LINE SIDE			LOAD SIDE		
				Insulator	Conn.	Threaded Stud Size	Openings Per Pole	Connector Configuration	Wire Range AWG/kcmil	Openings Per Pole	Connector Configuration
133X272	CH	1/2/3	510	Plastic	AL	3/8-16 x 1 3/16"	1		#4 - #14 AWG	12	
133X273	CH	1/2/3	510	Plastic	AL	M10 x 30	1		#4 - #14 AWG	12	
133X280	CH	1/2/3	510	Plastic	AL	3/8-16 x 1 3/16"	1		#2 - #14 AWG	8	
133X281	CH	1/2/3	510	Plastic	AL	M10 x 30	1		#2 - #14 AWG	8	
133X270	CH	1/2/3	510	Plastic	AL	3/8-16 x 1 3/16"	1		2/0 - #14 AWG	4	
133X271	CH	1/2/3	510	Plastic	AL	M10 x 30	1		2/0 - #14 AWG	4	
145X282*		1/2/3	760	Phenolic	AL	3/8-16 x 1.00	2		2/0 - #14 AWG	8	

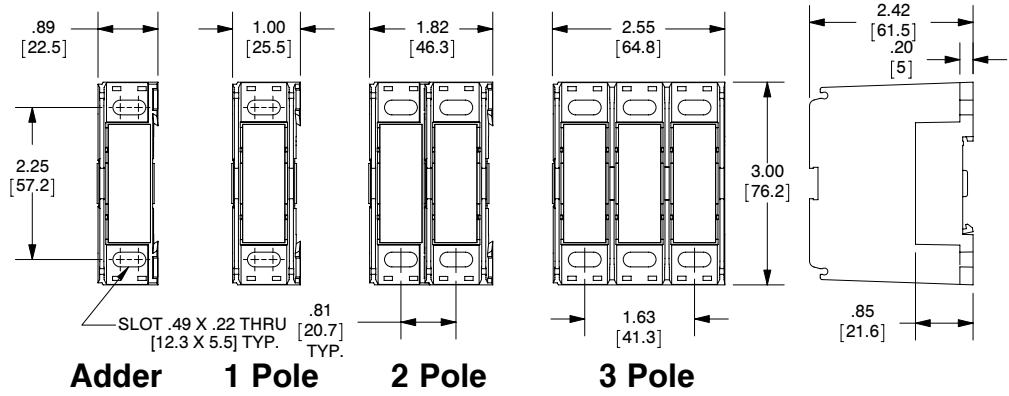
CH = Block is also available with hinge cover attached - include "CH" at end of part number when ordering - See page 58 for available covers

See pages 55-57 for dimensional information

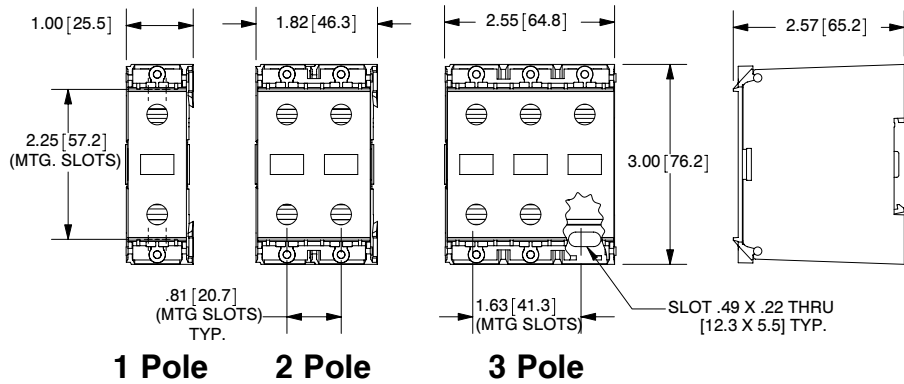
*cURus only

Power Terminal Block Dimensions

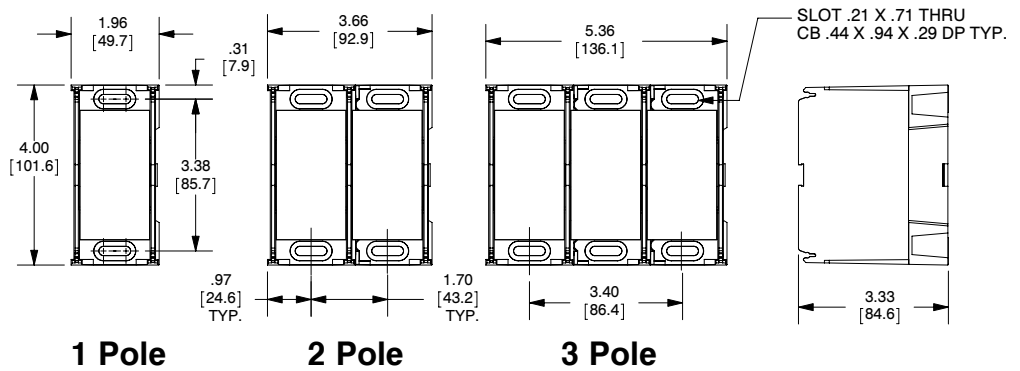
132 SERIES



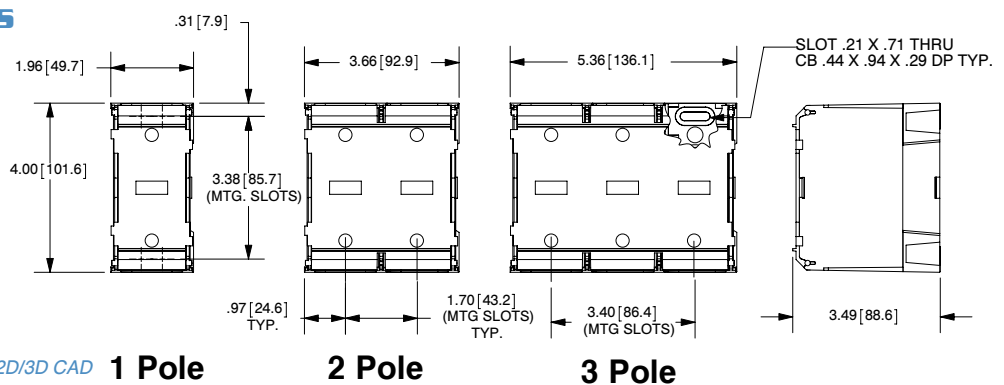
132 CH SERIES



133 SERIES



133 CH SERIES

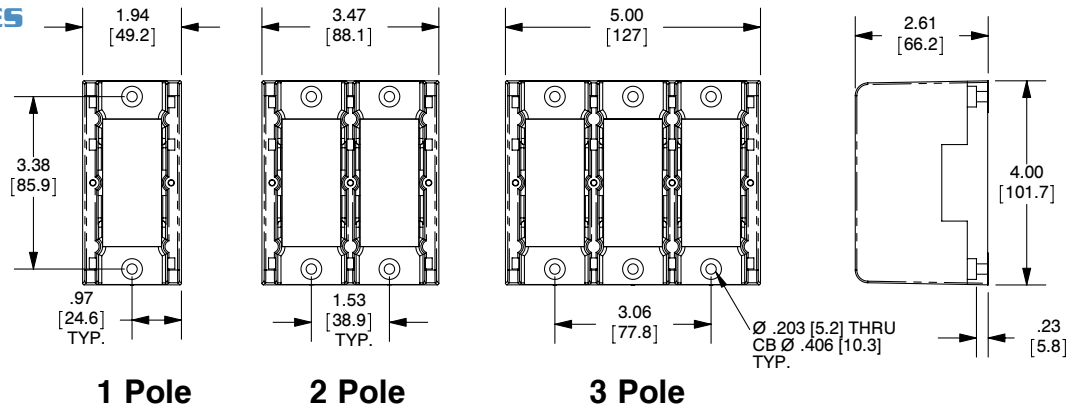


For electronic drawings or 2D/3D CAD data, submit request at www.marathonsp.com/drawings.html

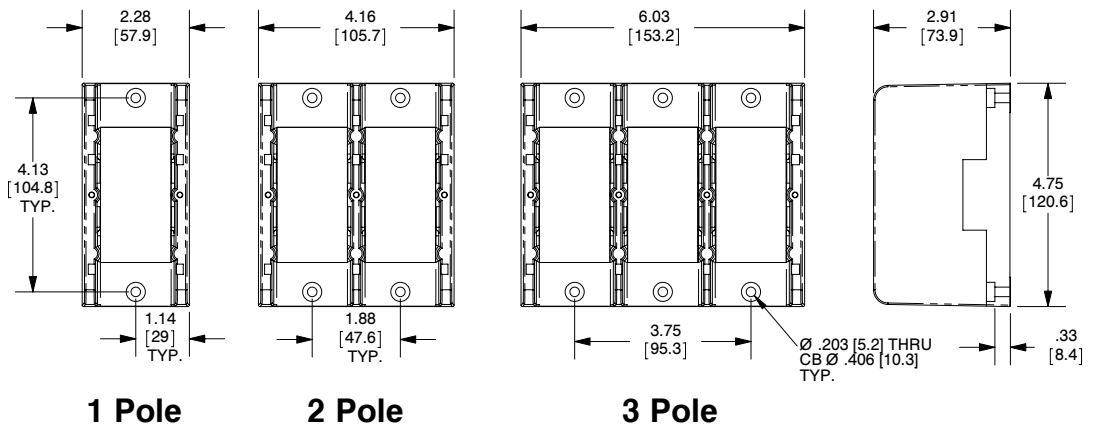
Datasheets available at marathonsp.com

Power Terminal Block Dimensions

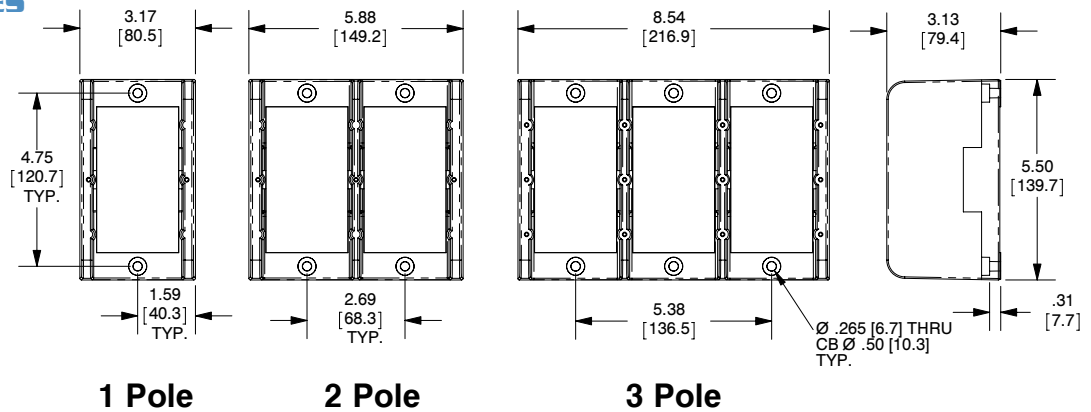
143 SERIES



144 SERIES



145 SERIES



For electronic drawings or 2D/3D CAD data, submit request at www.marathonsp.com/drawings.html