

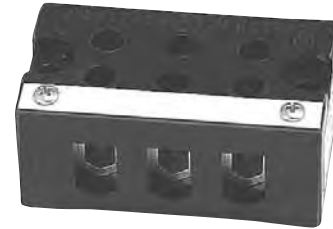
Heavy Duty Terminal Blocks

1103P and 1200 Series - Deadfront Type

600 Volts AC/DC (UL/CSA)

Specifications:

- Base, General Purpose Phenolic, 150°C (UL RTI)
- Connector, Aluminum, Tin Plated
- Screws, Steel, Nickel (Ni) Plated
- Current Rating up to **70 Amps**
- 1103P Wire Range (1) #4 - #14 AWG CU
(1-2) #10 - #14 AWG CU
- 1200 Series Wire Range #4 - #18 AWG CU
- UL Recognized File No. XCFR2.E62806
- CSA Certified File No. LR19766
- **CE** - 630 Volts (1103P); 800 Volts (1200 Series)
- RoHS Compliant



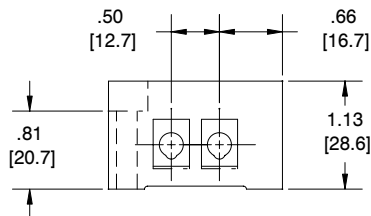
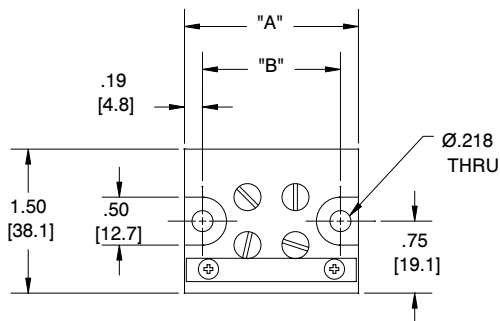
1103P



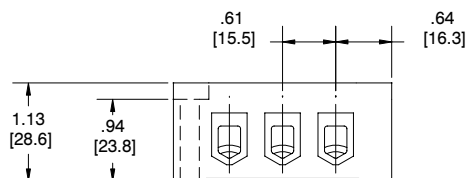
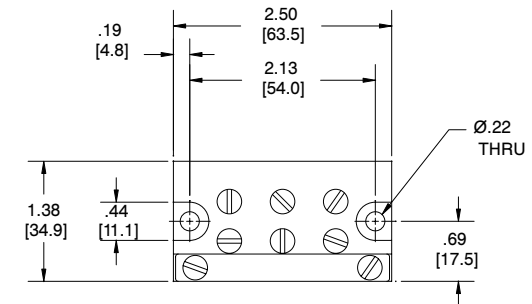
1206

Catalog #	# of Poles	Dimensions	
		A	B
1202	2	1.81	1.44
1204	4	2.81	2.44
1206	6	3.81	3.44

For electronic drawings or 2D/3D CAD data, submit request at www.marathonsp.com/drawings.html mm = dim X 25.4



1200 Series



1103P Series