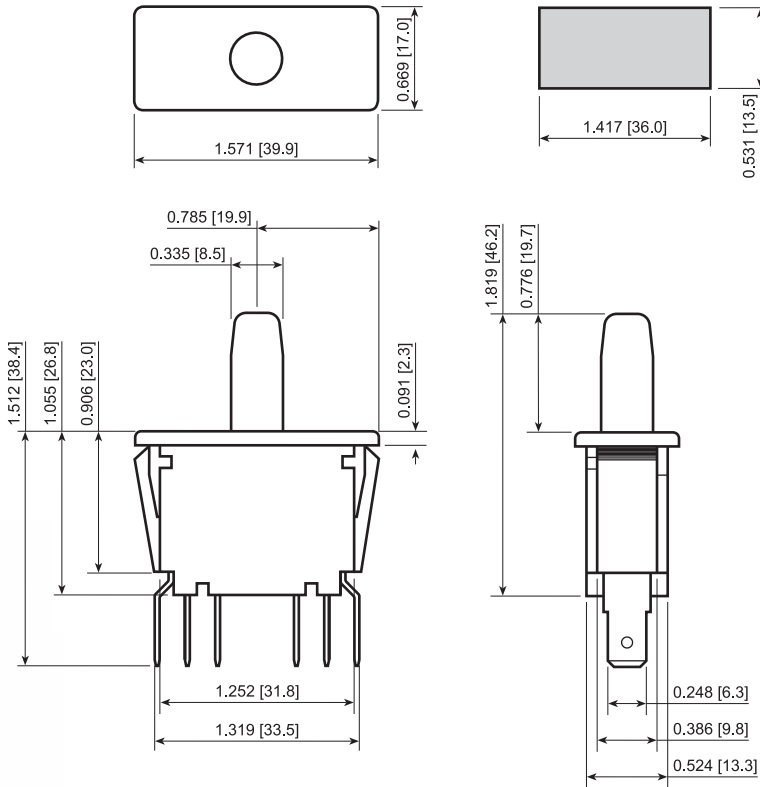


Suggested Panel Cutout



FEATURES:

- Push and Pull Capable Actuator
- Available Combination Function With Up To Three On Positions

SPECIFICATIONS:

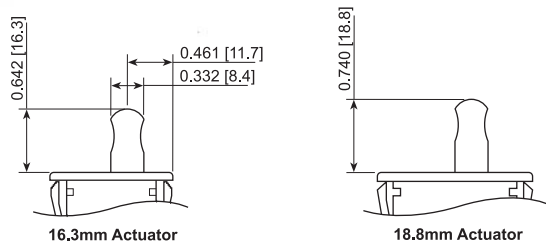
ELECTRICAL RATING: 16A 125VAC [cULus]
 12A 250VAC [cULus]
 1hp 125/250VAC [cULus]
TEMPERATURE: 0°C to 85°C [cULus]
CONTACT RESISTANCE: 50mΩ Max.

MATERIALS:

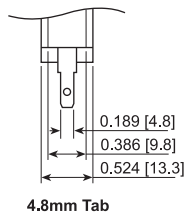
BODY: PA66
ACTUATOR: PA66
SPRING: 65Mn
HOOK SPRING: 1Cr13
SPRING POLE: PA66
MOVABLE CONTACTS: AgNi(10)
DEAD CONTACTS: AgNi(10)/Cu
LONG CONTACT PLATE: H62
MOVABLE LEVER: H62
DEAD CONTACTOR: H62
MOVABLE CONTACTOR: QSn6.5-0.1

PUSHBUTTON

Actuator Options



Terminal Options



Series	Terminal Type	Function	Rating	Body Color	Actuator Height	Actuator Color
PP2	1 - 4.8mm Tabs, Vertical 4 - 6.3mm Tabs, Vertical	H - On-(On) U - On[1]-On[2]-(On[1])	7 - 16A 125VAC, 12A 250VAC 1HP 125/250VAC	1 - Black 2 - White	A - 19.7mm* B - 16.3mm** C - 18.8mm**	2 - White

Notes:
 * = Available only for H function.
 ** = Available only for U function.