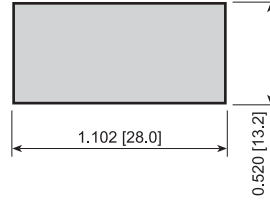
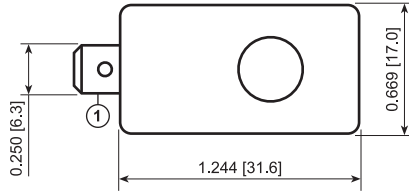


Suggested Panel Cutout



FEATURES:

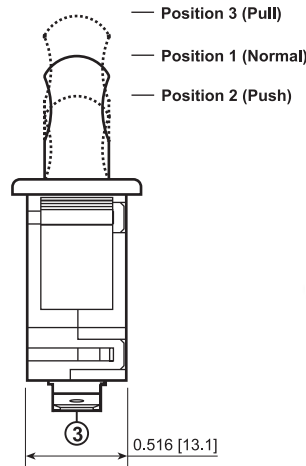
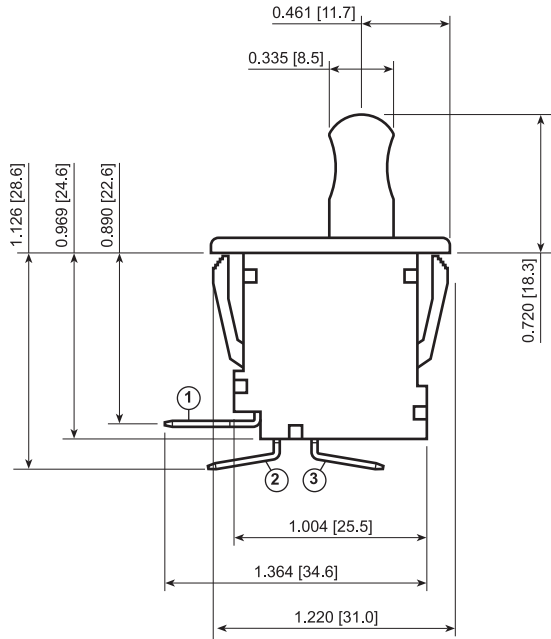
- Push and Pull Capable Actuator
- Available Combination Function With Up To Three On Positions

SPECIFICATIONS:

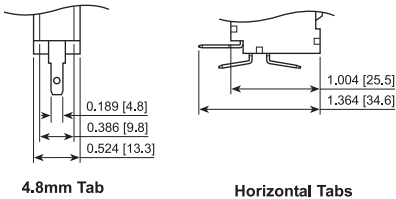
ELECTRICAL RATING: 16A 125VAC [cULus]
 12A 250VAC [cULus]
 1hp 125/250VAC [cULus]
TEMPERATURE: 0°C to 85°C [cULus]
CONTACT RESISTANCE: 50mΩ Max.

MATERIALS:

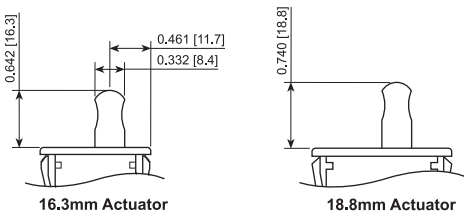
Body: PA66
ACTUATOR: PA66
SPRING: 65Mn
HOOK SPRING: 1Cr13
SPRING POLE: PA66
MOVABLE CONTACTS: AgNi(10)
DEAD CONTACTS: AgNi(10)/Cu
LONG CONTACT PLATE: H62
MOVABLE LEVER: H62
DEAD CONTACTOR: H62
MOVABLE CONTACTORS: QSn6.5-0.1



Terminal Options



Actuator Options



Series	Terminal Type	Function	Rating	Body Color	Actuator Height	Actuator Color
PP1	1 - 4.8mm Tabs, Vertical D - 4.8mm Tabs, Horizontal E - 6.3mm Tabs, Horizontal	B - On-(On)* T - On[1]-On[2]-(On[1])	7 - 16A 125VAC, 12A 250VAC 1HP 125/250VAC	1 - Black 2 - White	B - 16.3mm 2 - White	

Notes:
 * = Available only with terminal type 1.

PUSHBUTTON

SPECIFICATIONS SUBJECT TO CHANGE WITHOUT NOTICE

PP1-ET7-2B2