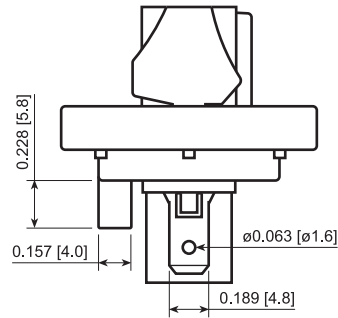
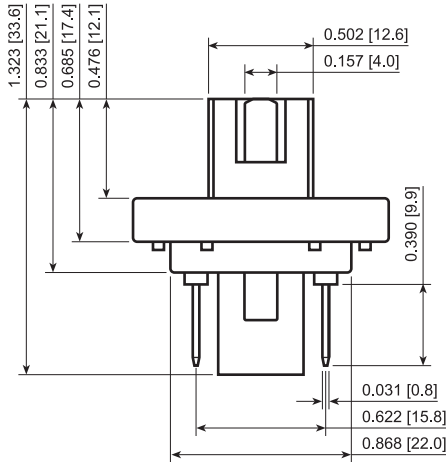
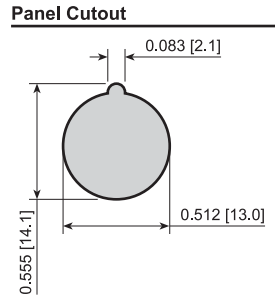
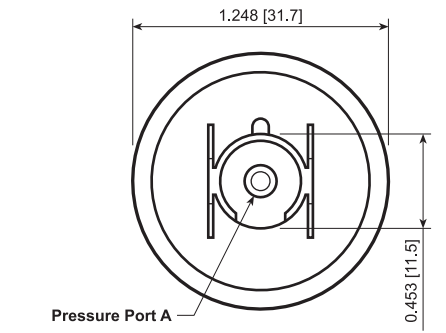


# ME7-Series



## FEATURES:

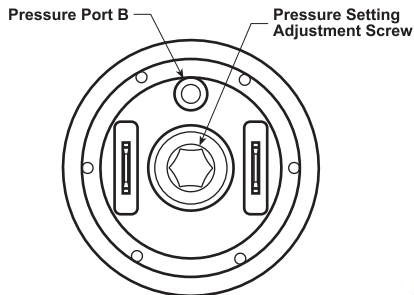
- Use as gauge or differential pressure switch
- Virtually zero hysteresis

## SPECIFICATIONS:

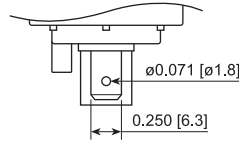
**RATINGS:** 2.5A 250V  
1A 250V  
20mA 250V  
**TEMPERATURE:** -10°C to 85°C (Operating)  
**PRESSURE SET POINT:** Pressure: 15 to 1600mBar  
Vacuum: -15 to -600mBar  
**MAX WORKING PRESSURE:** 1600mBar  
**HYSTERESIS:** Nearly None  
**ACCEPTABLE PRESSURE FLUIDS:** Non Hazardous Gas Only

## MATERIALS:

**UPPER BODY:** PA66  
**LOWER BODY:** PA66  
**CONTACTS:** Plated Brass  
**ADJUSTMENT SCREW:** PA66  
**MEMBRANE:** Silicone



## Terminal Options



6.3mm Tab

ME7-250-112



**Series**  
ME7 - Pressure Switch, Two Port (In MilliBars)

**Calibration Setting**  
Calibration Setting

**Pressure/Vacuum**  
None - Pressure  
V - Vacuum

**Function**  
None - Normally Open  
C - Normally Closed

**Terminal Type**  
1 - 4.8mm Tabs  
2 - 6.3mm Tabs

**Connection Size**  
1 - 4mm  
2 - M10

**Contact Material**  
1 - Silver Plated Brass  
2 - Gold Plated Brass



Ph: 503-297-8878 • Fax: 503-297-8879

P.O. Box 25110 • Portland, OR 97298 USA • www.lambind.com

SPECIFICATIONS SUBJECT TO CHANGE WITHOUT NOTICE

PRESSURE