

Content



Tools	
Cutting tools	J.2
Cutting tools - Accessories	J.3
Stripping tools	J.4
Crimping tools	J.5 - J.6
Accessories	J.7 - J.12
Screwdrivers	J.13 - J.20
DMS manual / DMSI manual	J.21
Screwdrivers	J.22 - J.24

Cutting Tools

Cutting tools

- Cutting formation for different cable sizes increases the quality of the cuts for smaller cross-sections.

KT 8



Cutting tool that does not damage the conductor; for cutting copper and aluminium cables with a diameter of up to 8 mm

- Not suitable for steel wires, steel-armoured cables, aluminium alloys and hard-drawn copper conductors!

KT 12



Cutting tool that does not damage the conductor; for cutting copper and aluminium cables with a diameter of up to 12 mm

- Not suitable for steel wires, steel-armoured cables, aluminium alloys and hard-drawn copper conductors!

Technical data

Max. cutting performance copper cable	
Solid (max. conductor cross-section)	mm ² / AWG
Stranded (max. conductor cross-section)	mm ² / AWG
Flexible (max. conductor cross-section)	mm ² / AWG
Flexible, Stranded (max. diameter)	mm
Sector line	
Max. cutting performance aluminium cable	
Stranded (max. conductor cross-section)	mm ² / AWG
Stranded (max. diameter)	mm
Solid	mm ²
Data-/ telephone-/ control cable	
O.D. max.	mm
Tool data	
Length / width / height	mm
Weight	g
Information	
(tool closed)	

KT8		
		16 / 6
		16 / 6
		16 / 6
		8
		16 / 6
		8
		16
		8
		165 / 65 / 25
		180
		(tool closed)

KT12		
		16 / 6
		25 / 3
		35 / 2
		12
		25 / 6
		8
		25
		12
		215 / 66 / 28
		300
		(tool closed)

Order data

Version
Information

Type	Qty.	Order No.
KT 8	1	9002650000
Information		

Type	Qty.	Order No.
KT 12	1	9002660000
Information		

Accessories

Type	Qty.	Order No.
Information		

Type	Qty.	Order No.
Information		

Type	Qty.	Order No.
Information		

Cutting Tools

WAW 1

Notching tool



Tool for trimming poles from WQV 2.5 to WQV 35 cross connections used in Weidmueller W-Series terminals.

Technical data

Length	167 mm
Weight	227 g

Order data

Type	Order No.
WAW 1	9004500000

WAW 2

Notching tool



Tool for punching out the cross-connection windows of the Weidmüller W-Series Disconnect terminal WTR 2.5 Fuse terminal WSI 6

Technical data

Length	205 mm
Weight	338 g

Order data

Type	Order No.
WAW 2	9004510000

KT ZQV

Cutting tool



Cutting tool that does not damage the edge; for cutting the cross-connections of the Weidmüller Z-series.

Technical data

Length	215 mm
Weight	300 g

Order data

Type	Order No.
KT ZQV	9002170000

Stripping tools

Stripping- and cutting tools

- For flexible and massive conductors with PVC-insulation
- Stripping length adjustable with shoulder
- automatic opening of the clamping jaws after stripping
- no splicing of the single conductor
- adjustable to different insulation thickness
- cable with double insulation in two processing steps without special adjustment
- Blade-device free from float and self-adjustable
- long durability
- optimised ergonomically design

Stripax® 16



Stripping and cutting tool for flexible and massive conductors with PVC-insulation of 6...16 mm² (~AWG 10... 6)

- Cutting of flexible and massive conductors up to 6 mm² (AWG 10)
- No damaging of the conductor due to special blade forms

Stripax®



Stripping and cutting tool for flexible conductors with PVC-insulation of 0.08...6mm² (~AWG 28...10)

- No damaging of the conductor due to special, self-adjustable stripping blades
- Processing of multi-conductors, with thin flat ribbon cables even multiple conductors in one operation

Technical data

Max. stripping performance copper cable		Stripax® 16	Stripax®
Cable model		flexible & solid PVC conductors	flexible & solid PVC conductors
Conductor cross-section	mm ²	6 ... 16	0.08 ... 6
Conductor diameter	mm		
Max. stripping length	mm	20	20
Adjustable depth of cut	mm		
Cutting performance			
Max. cutting performance	mm ²	6	6
Tool data			
Length	mm	190	190
Weight	g	155	155
Information			

Order data

Version	Type	Qty.	Order No.	Type	Qty.	Order No.
	stripax® 16	1	9055610000	stripax®	1	9005000000
Information						

Accessories

Type	Qty.	Order No.	Type	Qty.	Order No.
Spare stripping blades	1	9054080000	Cleaning brush	5	9005450000
Cleaning brush	5	9005450000	Spare stripping blades	1	9054030000
Information					

Crimping tools

Crimping tool for wire and ferrules

- Positive blocking guarantees good-quality crimping.
- Release option in case of incorrect operation

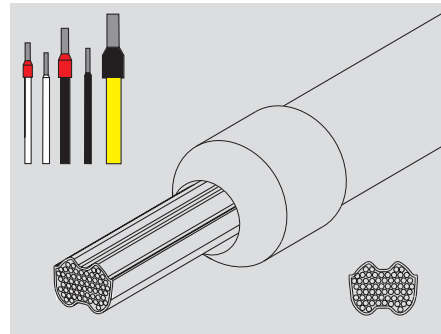
PZ 6/5

Crimping tool for wire end ferrules from 0.25...6mm²



Crimping tool for wire end ferrules (according to DIN 46228 T. 1 and 4) with and without plastic collar of 0.25...6 mm² (~ AWG 24...10) and twin wire end ferrules of 0.5...4.0mm²

- Crimp according to Euro-Norm EN 60947-1
- Five crimping stations corresponding to the conductor cross-section
- Approval according to VG 95211 (military designation VG 95 236 T 14 B 002)



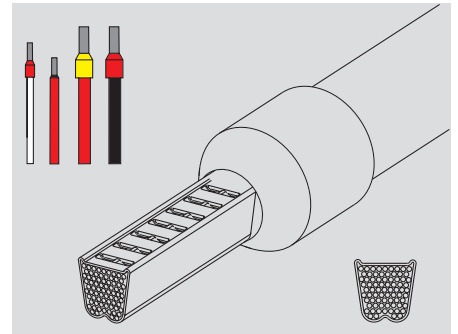
PZ 6roto

Crimping tool for wire end ferrules from 0.14...6mm²



Crimping tool for wire end ferrules of 0,14...6 mm² with and without plastic collar according to DIN 46228 T 1 and 4 (~ AWG 26...10) and twin-wire end ferrules of 0,5...4 mm²

- Only one die for the whole cross-section
- Pivoted die for wire end ferrule-insertion
- Wire end ferrule insertion from the front or from the side



Technical data

Description of contact	
Type of contact	
Crimping range	mm ²
Crimping range 1 (with multiple crimping positions)	mm ²
Crimping range 2 (with multiple crimping positions)	mm ²
Crimping range 3 (with multiple crimping positions)	mm ²
Plug width	mm

PZ 6/5	
ferrules with/without plastic collar	
Crimping range	0.25 ... 6
Crimping range 1 (with multiple crimping positions)	0.25 ... 0.5
Crimping range 2 (with multiple crimping positions)	0.75 ... 1.5
Crimping range 3 (with multiple crimping positions)	2.5

PZ 6 roto	
ferrules with/without plastic collar	
Crimping range	0.14 ... 6

Tool data	
Length	mm
Weight	g

Length	mm	200
Weight	g	423

Length	mm	200
Weight	g	428

Order data

Version
Information

Type	Qty.	Order No.
PZ 6/5	1	9011460000
Information		

Type	Qty.	Order No.
PZ 6 roto	1	9014350000
Information		

Accessories

Information
Information and ordering data for wire end ferrules see chapter tools wire end ferrules

Information and ordering data for wire end ferrules see chapter tools wire end ferrules

Information and ordering data for wire end ferrules see chapter tools wire end ferrules

Crimpen

Crimping tool for wire and ferrules

- Positive blocking guarantees good-quality crimping
- Release option in case of incorrect operation
- Wire end ferrule insertion from the side

PZ 16

Crimping tool for wire end ferrules from 6...16mm²



Crimping tool for wire end ferrules (acc. to DIN 46228 part 1 and 4) with and without plastic collar from 6...16 mm² (~ AWG 10...6)

- Three crimping stations corresponding to the conductor cross-sections
- Crimp according to Euro-Norm EN 60947-1
- Approval according to VG 95211 (military designation VG 95 236 T 14 B 002)

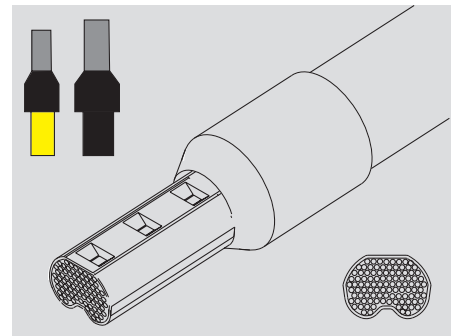
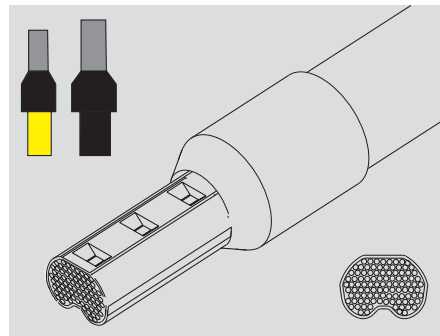
PZ 50

Crimping tool for wire end ferrules with 25, 35 and 50mm²



Crimping tool for wire end ferrules of 25, 35 and 50 mm² with and without plastic collar acc. to DIN 46228 part 1 and 4 (~ AWG 3...1)

- Three crimping stations corresponding to the conductor cross-sections
- Crimp according to Euro-Norm EN 60947-1
- Approval according to VG 95211 (military designation VG 95 236 T 14 B 002)



Technical data

Description of contact	
Type of contact	
Crimping range	mm ²
Crimping range 1 (with multiple crimping positions)	mm ²
Crimping range 2 (with multiple crimping positions)	mm ²
Crimping range 3 (with multiple crimping positions)	mm ²
Plug width	mm

PZ 16	
ferrules with/without plastic collar	
Crimping range	6 ... 16
Crimping range 1	6
Crimping range 2	10
Crimping range 3	16

PZ 50	
ferrules with/without plastic collar	
Crimping range	25 ... 50
Crimping range 1	25
Crimping range 2	35
Crimping range 3	50

Tool data	
Length	mm
Weight	g

Length	200
Weight	418

Length	260
Weight	700

Information

Information

Information

Order data

Version

Type	Qty.	Order No.
PZ 16	1	901260000

Type	Qty.	Order No.
PZ 50	1	900645000

Information

Information

Information

Accessories

Information

Information and ordering data for wire end ferrules see chapter tools wire end ferrules

Information and ordering data for wire end ferrules see chapter tools wire end ferrules

Accessories

Weidmüller stocks a comprehensive range of wire end ferrules and insulated cable lugs for immediate supply.

Wire end ferrules

Wire end ferrules ensure the long-term quality of electrical connections. Another advantage is their usefulness during installation. The wide range of products embraces wire end ferrules with or without plastic collars and twin wire end ferrules in all the colours normally required by users.



Insulated cable lugs

Insulated cable lugs ensure the long-term quality of electrical connections. Most of the products in the range (apart from the butt connectors) have a conical inlet. This guarantees optimum entry of the conductor as the strands are automatically centred.



Accessories

Tools

Tools for insulated cable lugs

Tool	Order No.	Type of contact		
		0,5 - 1,5	1,5 - 2,5	4,0 - 6,0
CTI 6	9006120000	●	●	
CTI 6 S	9006210000	●	●	
HTI 15	9014400000	●	●	●
Station		red	blue	yellow

Crimping tools for ferrules

	PZ 1.5	stripax® plus 2.5	PZ 3	PZ 4	PZ 6 roto	PZ 6 HEX	PZ 6/5	PZ 16	PZ 50
Order No.	9005990000	9020000000	0567300000	9012500000	9014350000	9013650000	9011460000	9012600000	9006450000
AEH mm²									
H 0.25	●				●	●	●		
H 0.34	●				●	●	●		
H 0.5	●	●	●	●	●	●	●		
H 0.75	●	●	●	●	●	●	●		
H 1.0	●	●	●	●	●	●	●		
H 1.5	●	●	●	●	●	●	●		
H 2.5		●	●	●	●	●	●		
H 4.0			●	●	●	●	●		
H 6.0			●		●	●	●	●	
H 10.0								●	
H 16.0								●	
H 25.0									●
H 35.0									●
H 50.0									●

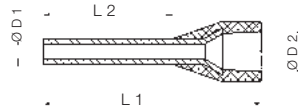
● = ferrules in strip form only

Twin wire end ferrules are to be crimped according to the following table

Tool	Order No.	Ferrules								
		H 0,5	H 0,75	H 1,0	H 1,5	H 2,5	H 4,0	H 6,0	H 10,0	H 16,0
PZ 1.5	9005990000	●	●							
PZ 3	0567300000	●	●	●	●	●				
PZ 4	9012500000	●	●	●	●	●				
PZ6 roto	9014350000	●	●	●	●	●	●			
PZ 6/5	9011460000		●	●	●	●	●			
Station		1,5 mm²	1,5 mm²	2,5 mm²	2,5 mm²	4 mm²	6 mm²			
PZ ZH16	9013600000							●	●	●

Accessories

Wire end ferrules with plastic collars



Nominal cross-section (mm ²)	AWG	Dimensions (mm)				Stripping length		Qty
		L 1	L 2	D 1	D 2	mm	mm	
0.14	26	10	6	0.6	1.5	8	500	
	26	12	8	0.6	1.5	10	500	
0.25	24	10	6	0.8	1.8	8	500	
	24	12	8	0.8	1.8	10	500	
0.34	22	10	6	0.8	2	8	500	
	22	12	8	0.8	2	10	500	
	22	12	8	0.8	2	10	5000	
0.5	20	10	6	1	2.6	8	500	
	20	12	6	1	2.6	8	500	
	20	14	8	1	2.6	10	500	
	20	14	8	1	2.6	10	5000	
	20	16	10	1	2.6	12	500	
0.75	18	12	6	1.2	2.8	8	500	
	18	14	8	1.2	2.8	10	500	
	18	14	8	1.2	2.8	10	5000	
	18	16	10	1.2	2.8	12	500	
	18	18	12	1.2	2.8	14	500	
1	17	12	6	1.4	3	8	500	
	17	14	8	1.4	3	10	500	
	17	14	8	1.4	3	11	5000	
	17	16	10	1.4	3	12	500	
	17	18	12	1.4	3	15	500	
1.5	16	14	8	1.7	3.5	10	500	
	16	14	8	1.7	3.2	10	5000	
	16	14	8	1.7	3.2	10	500	
	16	16	10	1.7	3.5	12	500	
	16	18	12	1.7	3.5	15	500	
2.5	14	14	8	2.2	4.2	10	500	
	14	14	8	2.2	4	11	3000	
	14	14	8	2.2	4	11	500	
	14	18	12	2.2	4.2	14	500	
	14	24	18	2.2	4.2	20	500	
4	12	17	10	2.8	4.8	12	500	
	12	20	12	2.8	4.8	14	500	
	12	26	18	2.8	4.8	20	500	
6	10	20	12	3.5	6.3	14	100	
	10	26	18	3.5	6.3	20	100	
10	7	22	12	4.5	7.6	15	100	
	7	28	18	4.5	7.6	21	100	
16	6	24	12	5.8	8.8	15	100	
	6	28	18	5.8	8.8	21	100	
25	3	30	16	7.3	11.2	18	50	
	3	36	22	7.3	11.2	24	50	
35	2	30	16	8.3	12.7	19	50	
	2	30	18	8.3	12.7	21	50	
	2	39	25	8.3	12.7	28	50	
50 ...	1	36	20	10.3	15	26	50	
	1	40	25	10.3	15	31	50	
	2/0	37	20	12.7	16	26	25	
	3/0	44	25	14.7	18	31	25	
	4/0	50	30	16.5	21	36	25	
150	300 MCM	54	32	18.5	23.5	38	25	

Weidmüller standard

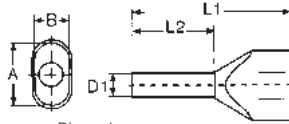
Type	Colour	Order No.	Strip pack Order No.	Ferrules in strip form Order No.	Ferrules on reels Order No.
H 0.14/10	grey		9005180000		
H 0.14/12	grey		9028240000		
H 0.25/10	light blue	9025740000	9026050000		
H 0.25/12	light blue	9025760000	9025780000		
H 0.34/10	turquoise	9025750000	9026030000		
H 0.34/12	turquoise	9025770000	9025790000		
H 0.34/12	turquoise				9004390000
H 0.5/10	orange		9028260000		
H 0.5/12	orange	0409500000			
H 0.5/14	orange	0690700000	9026060000	9004270000	
H 0.5/14	orange				9005810000
H 0.5/16	orange	9025870000	9028270000		
H 0.75/12	white	0409600000	9028280000		
H 0.75/14	white	0462900000	9026070000	9004290000	
H 0.75/14	white				9005820000
H 0.75/16	white	9025860000	9028290000		
H 0.75/18	white	9025910000	9028300000		
H 1/12	yellow	0409700000	9028310000		
H 1/14	yellow	0463000000	9026080000	9004320000	
H 1/14	yellow				9005830000
H 1/16	yellow	9025950000	9028320000		
H 1/18	yellow	9025930000	9028340000		
H 1.5/14	red	0463100000	9026090000		
H 1.5/14	red				9005840000
H 1.5/14	red			9004340000	
H 1.5/16	red	0635100000	9028350000		
H 1.5/24	red	0565600000			
H 2.5/14 D	blue	9019160000	9026100000		
H 2.5/14 D	blue			9004360000	9005850000
H 2.5/14 D	blue				
H 2.5/18 D	blue	9019170000			
H 2.5/24 D	blue	9019180000			
H 4/17 D	grey	9019190000	9026010000*		
H 4/20 D	grey	9019200000			
H 4/26 D	grey	9019210000			
H 6/20	black	0533500000			
H 6/26	black	0565700000			
H 10/22	ivory	0534200000			
H 10/28	ivory	0565800000			
H 16/24	green	0565900000			
H 16/28	green	0566000000			
H 25/30	brown	0317000000			
H 25/36	brown	0317100000			
H 35/30	beige	0317200000			
H 35/39	beige	0317300000			
H 50/36	olive	0444200000			
H 70/40	yellow	9028200000			
H 95/44	red	9028210000			
H 120/50	blue	9028220000			
H 150/54	yellow	9028230000			

Standard 5x 100 ferrules

* Strip pack 5x 50 ferrules

Accessories

Twin wire end ferrules with plastic collar



	Nominal cross-section (mm ²)	AWG	Dimensions (mm)				Stripping length (mm)	Qty
			L 1	L 2	D 1	A/B		
0.5	0.5	20	15	8	1.4	5/3	11	500
	0.5	20	16	10	1.4	5/3	13	500
	0.5	20	19	12	1.4	5/3	15	500
0.75	0.75	18	15	8	1.7	5.5/3	11	500
	0.75	18	17	10	1.7	5.5/3	13	500
	0.75	18	24	18	1.7	5.5/3	21	500
1	1.0	17	16	8	2.2	6.5/3.6	12	500
	1.0	17	15	8	2.0	5.8/3.2	12	500
	1.0	17	19	12	2.0	5.8/3.2	16	500
	1.0	17	25	18	2.0	5.8/3.2	22	500
1.5	1.5	16	16	8	2.2	6.5/3.6	11	500
	1.5	16	20	12	2.2	6.5/3.6	15	500
	1.5	16	26	18	2.2	6.5/3.6	21	100
2.5	2.5	14	19	10	2.8	8/4.5	13	500
	2.5	14	19	10	2.8	8/4.5	13	250
	2.5	14	21	12	2.8	8/4.5	15	500
	2.5	14	21	12	2.8	8/4.5	15	250
	2.5	14	27	18	2.8	8/4.5	21	500
4	4.0	12	22	12	3.5	9/5.2	15	100
	4.0	12	28	18	3.5	9/5.2	21	100
6	6.0	10	25	12	4.5	11.4/6.2	20	100
	6.0	10	29	18	4.5	11.4/6.2	24	100
10	10.0	7	24	12	5.8	13.4/7.6	17	100
	10.0	7	30	18	5.8	13.4/7.6	23	100
	10.0	7	24	12	6.5	13.4/7.6	17	100
	10.0	7	30	18	6.5	13.4/7.6	23	100
16	16.0	6	29	16	8.3	17.2/9.5	20	50
	16.0	6	38	25	8.3	17.2/9.5	29	50

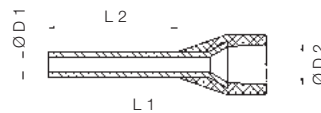
Weidmüller standard



Type	Colour	Order No.	Strip pack Order No.
H 0.5/15	orange	9037200000	9004440000*
H 0.5/16.5	orange	9037210000	
H 0.5/18.5	orange	9037220000	
H 0.75/15	white	9037230000	9018510000***
H 0.75/17	white	9037240000	9004900000*
H 0.75/24.5	white	9037250000	
H 1/15S	yellow	9018690000	9018650000*
H 1/15	yellow	9037260000	9018530000*
H 1/20	yellow	9037270000	9004910000*
H 1/25.6	yellow	9037280000	
H 1.5/16	red	9037290000	9004410000*
H 1.5/20	red	9037300000	9004920000*
H 1.5/25.6	red	9037310000	
H 2.5/18.5D	blue	9037500000	
H 2.5/18.5D	blue		9004430000**
H 2.5/20.5D	blue	9037510000	
H 2.5/20.5D	blue		9004740000**
H 2.5/26.5D	blue	9037520000	
H 4/22D	grey	9037530000	9004730000***
H 4/28D	grey	9037540000	
H 6/25	black	9037320000	9004930000***
H 6/29	black	9037330000	
H 10/26	ivory	9037340000	9004940000***
H 10/30	ivory	9037350000	
H 10/24 S	ivory	9018860000	
H 10/30 S	ivory	9018870000	
H 16/29	green	9037360000	
H 16/38	green	9037370000	

* 5 x 100 ** 5 x 50 *** 5 x 20

Wire end ferrules for short-circuit-proof and earthing-proof conductors



	Nominal cross-section (mm ²)		Dimensions (mm)				Stripping length (mm)	Qty
	AWG		L 1	L 2	D 1	D 2		
1,5	16	1.5	17.5	8	1.8	6.8	13	100
	16	1.5	19.5	10	1.8	6.8	15	100
2,5	14	2.5	17.5	8	2.3	7.6	14	100
	14	2.5	21.5	12	2.3	7.6	17	100
4	12	4	19.5	10	2.9	7.8	14	100
6	10	6	23	12	3.6	8.1	17	100
10	7	10	24	12	4.6	9.6	17	100
16	6	16	25.5	12	6	11.9	26	100

Type	Colour	Order No.	Strip pack Order No.
H 1.5/17.5XS	black	9006590000	
H 1.5/19.5XS	black	9006630000	
H 2.5/17.5XS	blue	9006670000	
H 2.5/21.5XS	blue	9006710000	
H 4/19.5XS	grey	9006750000	
H 6/23XS	yellow	9006790000	
H 10/24.5XS	red	9006830000	
H 16/25.5XS	blue	9006870000	

Accessories

DIN

Type	Colour	Order No.	Strip pack Order No.
H 0.5/15D	● white	9037380000	9004780000*
H 0.5/16.5D	● white	9037390000	
H 0.5/18.4D	● white	9037400000	
H 0.75/15D	● grey	9037410000	9018520000*
H 0.75/17D	● grey	9037420000	9004770000*
H 0.75/24.5D	● grey	9037430000	
H 1/15D	● red	9037440000	9018540000*
H 1/20D	● red	9037450000	9004760000*
H 1/25.6D	● red	9037460000	
H 1.5/16D	● black	9037470000	9004420000*
H 1.5/20D	● black	9037480000	9004750000*
H 1.5/25.6D	● black	9037490000	
H 2.5/18.5D	● blue	9037500000	
H 2.5/18.5D	● blue		9004430000**
H 2.5/20.5D	● blue	9037510000	
H 2.5/20.5D	● blue		9004740000**
H 2.5/26.5D	● blue	9037520000	
H 4/22D	● grey	9037530000	9004730000***
H 4/28D	● grey	9037540000	
H 6/25D	● yellow	9037550000	9004720000***
H 6/29D	● yellow	9037560000	
H 10/26D	● red	9037570000	9004710000***
H 10/30D	● red	9037580000	
H 10/24 DS	● red	9018880000	
H 10/30 DS	● red	9018890000	
H 16/29D	● blue	9037590000	
H 16/38D	● blue	9037600000	

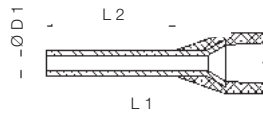
Others

Type	Colour	Order No.	Strip pack Order No.
H 0.5/15	● orange	9037200000	
H 0.5/16.5	● orange	9037210000	
H 0.5/18.5	● orange	9037220000	
H 0.75/15T	● light blue	9037610000	9018570000*
H 0.75/17T	● light blue	9037620000	9005140000*
H 0.75/24.5T	● light blue	9037630000	
H 1/15D	● red	9037440000	9018540000*
H 1/20D	● red	9037450000	9004760000*
H 1/25.6D	● red	9037460000	
H 1.5/16D	● black	9037470000	9004420000*
H 1.5/20D	● black	9037480000	9004750000*
H 1.5/25.6D	● black	9037490000	
H 2.5/18.5T	● grey	9037640000	
H 2.5/18.5T	● grey		9018580000**
H 2.5/20.5T	● grey	9037650000	
H 2.5/20.5T	● grey		9005150000**
H 2.5/26.5T	● grey	9037660000	
H 4/22T	● orange	9037670000	9018590000***
H 4/28T	● orange	9037680000	
H 6/25T	● green	9037690000	9005160000***
H 6/29T	● green	9037700000	
H 10/26T	● brown	9037710000	9005170000***
H 10/30T	● brown	9037720000	
H 16/29T	● white	9037730000	
H 16/38T	● white	9037740000	

* 5 x 100 ** 5 x 50 *** 5 x 20

J

Wire end ferrules with plastic collars Special sizes



Nominal cross-section (mm ²)	AWG	Dimensions (mm)				Stripping length (mm)	Qty	Type	Colour	Order No.	Strip pack Order No.
		L 1	L 2	D 1	D 2						
0.5	20	14	8	1	2.9	10	500	H 0.5/14 S	● orange	9004560000	
	20	14	8	1	2.9	10	500	H 0.5/14 DS	● white	9004590000	
0.75	18	14	8	1.2	3.4	10	500	H 0.75/14 S	● white	9025960000	9025700000*
	18	14	8	1.2	3.4	10	500	H 0.75/14 TS	● light blue	9018550000	
1	17	14	8	1.4	3.5	10	500	H 1/14 S	● yellow	9025970000	9025710000*
	17	14	8	1.4	3.5	10	500	H 1/14 DS	● red	9018560000	
1.5	16	12	6	1.7	3.5	8	500	H 1.5/12 S	● red	9025690000	
	16	14	8	1.7	3.9	10	500	H 1.5/14 S	● red	9025980000	9025720000*
	16	14	8	1.7	3.9	10	500	H 1.5/14 DS	● black	9025240000	9028360000*
2.5	14	12	6	2.2	4.2	8	500	H 2.5/12 DS	● blue	9028490000	
	14	14	8	2.2	4	10	500	H 2.5/14 DS	● blue	1333100000	
	14	16	10	2.2	4.2	13	500	H 2.5/16 DS	● blue	9036220000	
	12	12	6	2.2	4.2	8	500	H 2.5/12 TS	● grey	9036200000	
	14	14	8	2.2	4.2	10	500	H 2.5/14 TS	● grey	9426770000	
4.0	12	14	8	2.8	4.8	10	500	H 4.0/14 DS	● grey	9028520000	
	12	15	8	2.8	4.8	12	500	H 4.0/15 TS	● orange	9036230000	

* 5 x 100 ferrules

Screwdrivers

Rechargeable torque screwdriver

DMS 3



DMS 3 Set



DMS 3 rechargeable torque screwdriver

- One-hand operation under all working conditions
- Switchable forward and reverse
- Two speeds: 200 and 400 rpm
- Precise torque settings from approx. 0.2 ... 3 Nm in 6 steps
- Consistent performance during battery discharge
- Grip swings easily from rod to pistol form
- Takes 1/4" bits held by ball-bearing clamping mechanism (form E6.3)
- Safety lock prevents inadvertent switch-on
- Easy changeover from battery drive to manual operation up to 15 Nm

- inclusive bits for slotted screw
Dimension of the blade:
0,5 x 3,0; 0,6 x 3,5; 0,8 x 4,0; 1,0 x 5,5
(Length: 70 mm)

Technical data

Screwdriver	
Motor	2.4 V DC
Idling speed	200/400 rpm
Max. torque	3.0 Nm
Chuck	1/4" C6.3 DIN 3126
Length	239 mm
Weight	400 g
Battery	
Type	2 Ni-Cd batteries each 1.2 V
Weight	122 g
Charger	
Input	230 V AC, 50 Hz, 50 mA
Output	2.9 V AC, 1.4 A, 4.1 VA
Charging time	1 hour
Weight	700 g

Ordering data

Type	Qty	Order No.
DMS 3	1	9007440000
Screwdriver incl. battery		

Type	Qty	Order No.
DMS 3 set 1 (screwdriver incl. battery, 1 charger, bits, plastic carrying case)	1	9007470000
DMS 3 set 2 (as set1 with 1 additional battery)	1	9007480000

*) see figure

Accessories

Type	Qty	Order No.
Spare battery	1	9007450000
Charger	1	9007460000

Screwdrivers

Overview

Weidmüller screwdrivers come in four different grip sizes, and are the result of a consistent grip concept which takes into account both the human hand and the different requirements when working

- Perfect handling with all grip sizes
- Maximum torques
- Optimum transmission of axial force
- Complete range including all commercial dimensions



SoftFinish-grip

With the SoftFinish zone for use in dry conditions and for general applications, Weidmüller offers a complete range of screwdrivers that enables far higher torques and at the same time substantially more comfort due to the soft material of the grip.

Product benefits:

- Made of special soft material which is kind to the skin, the SoftFinish zone enables maximum torques
- Perfect ergonomic grip design for comfortable screw driving and optimum handling
- Version with solid steel tip can be used for chiselling
- You can choose from long-life extremely stressable blades in standard sizes
- ChromTop blade tip offers maximum corrosion protection and greatest possible dimensional accuracy of the blade geometry in the screw head over many years

SoftFinish electric

VDE-insulated screwdriver according to DIN EN 60900, IEC 900 for work on live equipment

Product benefits:

- The protective insulation directly injected onto the screwdriver blade ensures electrical safety, even in critical applications
- Safe for working at up to 1500 volts DC and 1000 volts AC
- Each screwdriver is individually tested in a water bath at 10,000 volts according to DIN EN 60900
- Perfect ergonomic grip design for comfortable screw driving and optimum handling
- Made of special soft material which is kind to the skin, the SoftFinish zone prevents slipping in critical situations and at the same time enables maximum torques

Screwdrivers

Combined cutting and screw driving tool

that does not damage the edge; for cutting of copper cables with a diameter of up to 1.5 mm² solid and 2.5 mm² flexible.

swifty®



swifty®

- Cable cutting tool to mount on non-insulated screw drivers with a blade diameter of 3.5 mm
- Minimum manual force required
- Automatic opening of the cutter
- Ergonomically designed grip

swifty®set

- Efficient operation:
- Only one tool for cable-processing in IDC-technology
- Suitable for screw and tension clamps
- Readily available pocket size
- For right-handed and left-handed use
- One-hand operation

swifty®set



Technical data

Maximum cutting performance		
Copper cable:		
Solid cable (conductor cross-section)	mm ²	1.5
Flexible cable (conductor cross-section)	mm ²	2.5
Tool data		
Length/width/height	mm	35 / 18 / 40
Weight	g	20

Ordering data

Type	Qty	Order No.
swifty® (without screwdriver)	1	9006020000

Type	Qty	Order No.
swifty®set (with screwdriver)	1	9006060000
Screwdriver (SD 0.6x3.5x100)	1	9008330000

Screwdrivers

VDE insulated Screwdriver

VDE-insulated screwdriver sets, for working on live parts up to 1000 V AC and 1500 V DC. DIN EN 60900, IEC 900. safety tested GS, checked individually. Blade made from high-alloy chromium-vanadium-molybdenum steel, through-hardened, browned

SDI S

VDE-insulated slot-head screwdriver, SDI DIN 7437, ISO 2380/2, output acc. to DIN 5264, ISO 2380/1, SoftFinish-grip



SDIK PH

VDE-insulated crosshead screwdriver type Phillips, SDIK PH DIN 7438, ISO 8764/2-PH, output acc. to DIN 5260-PH, ISO 8764/1-PH, SoftFinish-grip



SDIK PZ

VDE-insulated crosshead screwdriver type Pozidriv SDIK PZ DIN 7438, ISO 8764/2-PZ, output acc. to DIN 5260-PZ, ISO 8764/1-PZ, SoftFinish-grip



SDIT

VDE-insulated Torx®-screwdriver, SDIT SoftFinish-grip

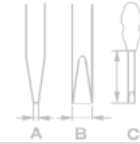


SKI

VDE-insulated hexagon socket wrench, SKI SoftFinishh-grip



Hinweis



Typ	Größe / SW	A	B	C	Best.-Nr.
SDI 0,4x2,5x75		0,4	2,5	80	9008370000
SDI 0,5x3,0x100		0,5	3	100	9008380000
SDI 0,6x3,5x100		0,6	3,5	100	9008390000
SDI 0,8x4,0x100		0,8	4	100	9008400000
SDI 1,0x4,5x125		1	4,5	125	9008910000
SDI 1,0x5,5x125		1	5,5	125	9008410000
SDI 1,2x6,5x150		1,2	6,5	150	9008420000
SDI 1,6x8,0x175		1,6	8	200	9008430000
SDI-SATZ3/3,5/4					9008440000

SDIK PH0	0	60	9008560000
SDIK PH3	3	150	9008590000
SDIK PH1	1	80	9008570000
SDIK PH2	2	100	9008580000
SDIK SATZ 1+2			9008600000

SDIK PZubehör Nummer	1	80	9008900000
SDIK PZ2	2	100	9008890000

SDIT 10	10	80	9009640000
SDIT 15	15	80	9009650000
SDIT 20	20	80	9009660000
SDIT 25	25	80	9009670000
SDIT 30	30	100	9009680000
SDIT 40	40	150	9009690000
SDIT 8	8	60	9201940000

SKI 5,0x129	5	125	9009000000
SKI 5,5x128	5,5	125	9008990000
SKI 6,0x128	6	125	9008980000
SKI 7,0x127	7	125	9008970000
SKI 8,0x127	8	125	9008960000
SKI 9,0x126	9	125	9008950000
SKI 10,0x126	10	125	9008940000
SKI 11,0x125	11	125	9008930000
SKI 13,0x125	13	125	9008920000

Screwdrivers

VDE insulated Screwdriver

VDE-insulated screwdriver sets Weidmüller SoftFinish electric for working on live parts up to 1000 V AC and 1500 V DC. DIN EN 60900, IEC 900. safety tested GS, individually Checked



SDIS 2,5-5,5/PH/1/2

6-part set: VDE-insulated slot-head and cross-head PH Screwdriver set



Type	Size / SW	A	B	C	Order No.
SDI 0,4x2,5x75		0.4	2.5	80	
SDI 0,5x3,0x100		0.5	3	100	
SDI 0,8x4,0x100		0.8	4	100	
SDI 1,0x5,5x125		1	5.5	125	
SDI PH 1				80	
SDI PH 2				100	
SDIS 2,5-5,5/PH1/2					9009730000

SDI T8-30

6 part set: VDE-insulated TORX® screwdriver set



SDIT 8				60	
SDIT 10				80	
SDIT 15				80	
SDIT 20				80	
SDIT 25				80	
				100	
SDIS T8-30					9201950000

Hinweis

Screwdrivers

Uninsulated screwdriver

Weidmüller SoftFinish screwdriver for general uses, blade made from high-alloy chromium-vanadium-molybdenum steel, through-hardened, matt chrome finish.



SD S

Slot-head screwdriver with circular blade SD DIN 5265, ISO 2380/2, output acc. to DIN 5264, ISO 2380/1, point chromium top, SoftFinish-grip



Typ	Größe / SW	A	B	C	Best.-Nr.
SD 0,4x2,0x60		0,4	2	60	9037160000
SD 0,4x2,5x75		0,4	2,5	75	9009030000
SD 0,5x3,0x80		0,5	3	80	9008320000
SD 0,6x3,5x100		0,6	3,5	100	9008330000
SD 0,6x3,5x200		0,6	3,5	200	9010110000
SD 0,8x4,0x100		0,8	4	100	9008340000
SD 0,8x4,5x125		0,8	4,5	125	9009020000
SD 1,0x5,5x150		1	5,5	125	9008350000
SD 1,2x6,5x150		1,2	6,5	150	9009010000

SDK PH

Crosshead screwdriver Type Phillips, SDK PH DIN 5262, ISO 8764/2-PH, output acc. to DIN 5260-PH, ISO 8764/1-PH, point chromium top, SoftFinish-grip



SDK PH0	0			60	9008470000
SDK PH1	1			80	9008480000
SDK PH2	2			100	9008490000
SDK PH3	3			150	9008500000

SDK PZ

Crosshead screwdriver Type Pozidriv, SDK PZ DIN 5262, ISO 8764/2-PZ, output acc. to DIN 5260-PZ, ISO 8764/1-PZ, point chromium top, SoftFinish-grip



SDK PZ0	0			60	9008520000
SDK PZubehör Nummer	1			80	9008530000
SDK PZ2	2			100	9008540000
SDK PZ3	3			150	9008550000

SDTR

Torx® TR-screw driver with drill hole in the blade point (Tamper Resistant), SD TR for screwing of Torx® and Torx®-TR safety screws (centre pin in profile), point chromium top, SoftFinish-grip



SDTR 8	8			60	9009190000
SDTR 10	10			80	9009180000
SDTR 15	15			80	9009170000
SDTR 20	20			100	9009160000
SDTR 25	25			100	9009150000
SDTR 30	30			115	9009140000

SK

Hexagon socket wrench SK DIN 3125, output acc. to DIN 3125, SoftFinish-grip



SK 5,0x125	5			125	9009130000
SK 5,5x125	5,5			125	9009120000
SK 6,0x125	6			125	9009110000
SK 7,0x125	7			125	9009100000
SK 8,0x125	8			125	9009090000
SK 9,0x125	9			125	9009080000
SK 10,0x125	10			125	9009070000
SK 11,0x125	11			125	9009060000
SK 12,0x125	12			125	9009050000
SK 13,0x125	13			125	9009040000

Hinweis

Screwdrivers

Uninsulated screwdriver

Set of interchangeable blades made from high-alloy chromium-vanadium-molybdenum steel, through-hardened, high-quality galvanised finish.



System 11+1 S-PH-PZ-SK

12-part set of interchangeable blades for slot-head, cross-head PH/PZ and hexagon screws, SoftFinish-grip



Typ	Größe / SW	A	B	C	Best.-Nr.
SD		0.5	3	140	
SD		0.8	4	140	
SD		1	5	140	
SD		1.2	6	140	
PH 1	1			140	
PH 2	2			140	
PZ 1	1			140	
PZ 2	2			140	
SK	3		3	140	
SK	4		4	140	
SK	5		5	140	
System 11+1					9009750000

System 11+1 TW-TS-TR

12-part set of interchangeable blades for screwing of Torx®, Torq® and Tri-Wing® safety screws.



TR	10			140	
TR	15			140	
TR	20			140	
TR	25			140	
TR	30			140	
TS	6			140	
TS	8			140	
TW	1			140	
TW	2			140	
TW	3			140	
TW	4			140	
System 11+1 Secur.					9009760000

Set S 2.5/3.0/4.0/5.5/PH 1/2

12-part set of interchangeable blades for slot-head, cross-head PH screwdriver set with circular blades



SD 0,4x2,5x75		0.4	2.5	75	
SD 0,5x3,0x80		0.5	3	80	
SD 0,8x4,0x100		0.8	4	100	
SD 1,5x5,5x125		1	5.5	125	
SD PH 1	1			80	
SD PH 2	2			100	
SDS 2,5-5,5/PH1/2					9009740000

Set TR 10/15/20/25/30/40

6-part set: Torx® screw driver with drill hole in the blade point



SD TR 30	8			60	
SD TR 10	10			80	
SD TR 15	15			80	
SD TR 20	20			100	
SD TR 25	25			100	
SD TR 30	30			150	
SDS TR8-30					9009720000

SD STK

Flat blade screwdriver with solid steel cap SD STK DIN 5265, ISO 2380/2, output acc. to DIN 5264, ISO 2380/1, can also be used as a chisel due to steel cap SoftFinish-grip



SD STK 10x175		1.6	10	175	9009710000
SD STK 8x150		1.2	8	150	9009700000

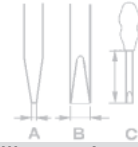
Hinweis

Screwdrivers

Wrench set Weidmüller

Allen key in PocketStar

Allen key made from high-alloy chromium-vanadium- steel, acc. to DIN ISO 2936 L (DIN 911), surface high-quality refined.



SK WSD S

9-part offset screwdriver set in Prostar, with MagicRing: holds standard screws in any position thanks to spring steel ring (beginning with size 3), with spherical head: for angled screwing up to 25°.



Typ	Größe / SW	A	B	C	Best.-Nr.
	1,5				
	10				
	2				
	2,5				
	3				
	4				
	5				
	6				
	8				
SK WSD-S 1,5-10,0					9008850000

SK S

7-part allen key set



	2				
	2,5				
	3				
	4				
	5				
	6				
	8				
SK-S 2,0-8,0					9008860000

SK S

7-part allen key set with MagicRing and spherical head: holds standard screws in any position thanks to spring steel ring (beginning with size 3), with spherical head: for angled screwing up to 25°.



	2				
	2,5				
	3				
	4				
	5				
	6				
	8				
SK-S 2,0-8,0 MR					9008870000

TR S

8-part Torx® TR-screw driver set

with drill hole in the blade point (Tamper Resistant), for screwing of Torx® and Torx®-TR safety screws (centre pin in profile)



	10				
	15				
	20				
	25				
	27				
	30				
	40				
	9				
TR-S 9-40					9008880000

Hinweis

DMS manual / DMSI manual

Torque screwdrivers with insulation up to 1000V (VDE)

• DMSI manual

The “DMSI manual” with integral window scale combined with a Weidmüller 1000V insulated (VDE) interchangeable blade ensures controlled tightening of screws plus reliability in electrical applications.

Every 1000V insulated handle (VDE) and blade (VDE) is tested and provides the necessary safety up to 1000 V AC/1500 V DC.



Scale

Torque screwdrivers

• DMS manual

This is a versatile tool suitable for a variety of jobs, with integral scale for easy reading of the torque value plus a Weidmüller interchangeable blade.



Each model is available with two torque ranges:

- 0.5 to 1.7 Nm
- 2.0 to 8.0 Nm
- setting tool included



Setting tool

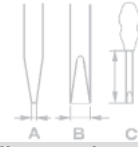
Advantages

- Compact and especially lightweight design
- Torque set with special tool (included) to ensure the right setting
- Ergonomic handle size to match the torque range
- Every tool checked and given an ID no., 100% quality control with verification and product reference
- Audible, unmistakable click upon reaching the torque, no unnecessary effort
- Interchangeable blade made from high-quality wear-resistant tool steel
- All tools comply with the accuracy stipulations of: EN ISO 6798, BS EN 26789, ASME B107.14M
- Operating accuracy: $\pm 6\%$ of set scale value

Screwdriver

Screwdriver

VDE insulated torque screwdriver Weidmüller SoftFinish electric for work on live parts up to 1000 Vac and 1500 Vdc.
DIN EN 60900, IEC 900, GS symbol, every one tested.



DMSI manual

VDE-insulated torque-screwdriver
EN ISO 6798, BS EN 26789, ASME B107.14M



Type	Size / SW	A	B	C	Order No.
DMSI manuell 0,5-1,7	0,5 - 1,7 Nm				9918390000
DMSI manuell 2,0-8,0	2,0 - 8,0 Nm				9918400000

WK SI

VDE-insulated interchangeable blades for VDE-insulated torque-screwdriver
output according to DIN 5264, ISO 2380/1



WK SI 0,4 x 2,5	max. 0.6 Nm	0,4	2,5	175	9918410000
WK SI 0,5 x 3,0	max. 0.6 Nm	0,5	3	175	9918420000
WK SI 0,6 x 3,5	max. 1.1 Nm	0,6	3,5	175	9918430000
WK SI 0,8 x 4,0	max. 2.5 Nm	0,8	4	175	9918440000
WK SI 1,0 x 5,5	max. 3.8 Nm	1	5,5	175	9918450000

WK IK PH

VDE-insulated interchangeable blades for VDE-insulated torque-screwdriver
output according to DIN 5260-PH, ISO 8764/1-PH



WK IK PH 0	max. 0.9 Nm			175	9918460000
WK IK PH 1	max. 3.8 Nm			175	9918470000
WK IK PH 2	max. 5.5 Nm			175	9918480000

WK IK PZ

VDE-insulated interchangeable blades for VDE-insulated torque-screwdriver
output according to DIN 5260-PZ, ISO 8764/1-PZ



WK IK PZ 0	max. 0.9 Nm			175	9918490000
WK IK PZ 1	max. 3.8 Nm			175	9918500000
WK IK PZ 2	max. 5.5 Nm			175	9918510000

Hinweis

DMSI scope of delivery contains adjustment tool

