

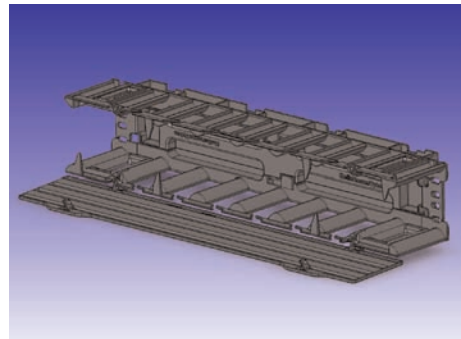
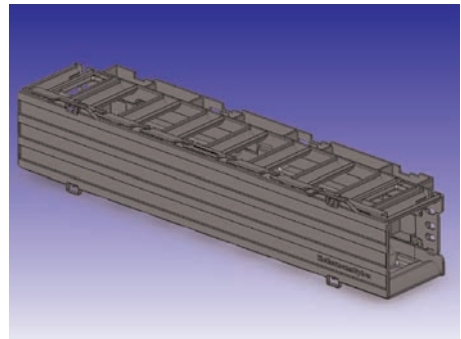
Racks and Cable Management Products

Wire Management Brackets	74-79
Racks and Accessories	80-83
Cable Management Panels	84

Enhanced Horizontal Wire Managers

HellermannTyton's enhanced horizontal wire managers protect cable and maintain its integrity on a standard 19" rack. The high quality injection molded wire managers possess a one-inch minimum radius, which guards against extensive bending of the cables and increases transmission reliability. Using the enhanced horizontal wire managers makes installing and rework faster and easier. Snap-on, injection-molded covers hinge down for easy access to patch cords in front of rack during moves, adds, and changes (MAC's). HellermannTyton's enhanced horizontal wire manager's aesthetic design includes a clean look with textured covers, preventing fingerprints.

- The smooth edges and the wide spacing allow for easy routing of cable bundles.
- Mounting holes and slots on the sides of the management system permit easier alignment on the rack and faster installation.
- The sloped design in the rear maintains room for cable bundles and ensures easy access to patch panels.
- The horizontal rear cable manager's depth is increased, enabling cables to be routed more easily from vertical managers.
- Wire retention tabs are designed into the enhanced horizontal wire managers to help keep cables inside the manager.
- The wire manager's material is UL94V-0 rated for flammability.



Product Selection

Part Number	Description	Dimensions	Rack Units	Pkg. Qty.	Shipping Weight
One Rack Unit Managers					
1. EHWMN1	Single-Sided Horizontal Wire Manager	1.75" x 3" front	1	1	1.00 lb
2. EHWMN2	Dual-Sided Horizontal Wire Manager	1.75" x 3" front and 1.75" x 6" back	1	1	2.00 lb
Two Rack Unit Managers					
3. EHWM1	Single-Sided Horizontal Wire Manager	3.5" x 3" front	2	1	1.75 lb
4. EHWM2	Dual-Sided Horizontal Wire Manager	3.5" x 3" front and 3.5" x 6" back	2	1	2.16 lb



Wire Management Brackets

HellermannTyton provides the most adaptable and systematic approach for cable management on relay racks. Offering a complete line of versatile products, these brackets and panels protect, route, and organize UTP, Sctp, coax and fiber optic cables and make it easy to perform moves or changes. For a completely enclosed appearance, HellermannTyton offers the horizontal and vertical wire management brackets. This design provides organization while keeping cables hidden. The covers are easily removed and reattached providing quick and easy access to both the front and back of a rack. To prevent misplacement of covers, the brackets are also available with a hinged cover allowing easy open and close without entire cover removal. Ideal for high density installations, the black wire management brackets feature smooth-edged slotted fingers allowing cable to be pulled through at any location. The slotted fingers are scored, enabling them to break off if larger openings are required. Numerous sizes are available in both horizontal and vertical configurations. All wire management brackets are packaged with 12-24 mounting screws.

Wire management brackets can be customized with corporate logos. Contact HellermannTyton for more information.

Horizontal Wire Management Brackets

Designed to provide cable management horizontally on the front and back of a rack, the black WMB series include several variations and sizes. The single-sided bracket provides a channel for only the front or the back on a relay rack and the dual-sided bracket provides a channel for both the front and back on a relay rack. The two styles are offered for one, two, and three rack spaces. The two rack space wire manager has pass through holes in the frame for better management of cables and front to back cabling. All are equipped with extended length covers to keep excess cable hidden.

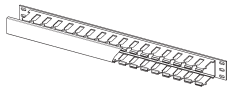
HellermannTyton's wire managers also feature an easily removable plastic film on the cover to eliminate scratches during shipment. This plastic film ensures a neat appearance and improves rack aesthetics when the wire managers are installed, an important consideration to installers and end-users.

All designs of wire management brackets perform with the wire management bracket hinge. This hinge allows the cover to remain with the bracket. It easily snaps onto the cover and the channel. Once assembled, the hinge permits the cover to be opened down and act as a "shelf" for easy cable organization. The hinge is available separately or preassembled on the wire management bracket and cover.

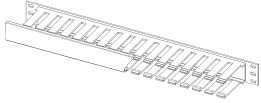


Plastic film to protect cover provided

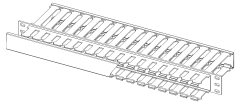
Horizontal Wire Management Brackets



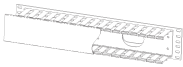
1. WMBN1



2. WMBP1



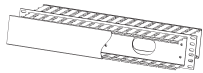
3. WMBN2 &
4. WMBP2



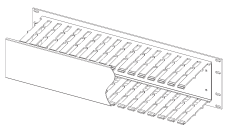
5. WMB1



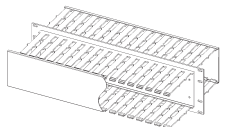
6. WMB2



7. WMB2B



8. WMB31



9. WMB32

Product Selection

Part Number	Description	Dimensions	Rack Units	Pkg. Qty.	Shipping Weight
One Rack Unit Managers					
1. WMBN1	Single-Sided Horizontal Wire Manager	1.5" x 2" slotted channel front	1	1	1.00 lb
2. WMBP1	Single-Sided Horizontal Wire Manager	1.5" x 3" slotted channel front	1	1	2.00 lb
3. WMBN2	Dual-Sided Horizontal Wire Manager	1.5" x 2" slotted channel front 1.5" x 4" slotted channel back	1	1	1.75 lb
4. WMBP2	Dual-Sided Horizontal Wire Manager	1.5" x 3" slotted channel front 1.5" x 4" slotted channel back	1	1	2.16 lb
Two Rack Unit Managers					
5. WMB1	Single-Sided Horizontal Wire Manager	3" x 3" slotted channel front	2	1	1.75lb
* WMB1H	Single-Sided Horizontal Wire Manager with Hinged Covers	3" X 3" slotted channel front	2	1	1.75lb
6. WMB2	Dual-Sided Horizontal Wire Manager	3" x 3" slotted channel front 2" x 4" slotted channel back	2	1	2.75 lb
* WMB2H	Dual-Sided Horizontal Wire Manager with Hinged Covers	3" x 3" slotted channel front 2" x 4" slotted channel back	2	1	2.75lb
7. WMB2B	Dual-Sided Horizontal Wire Manager	3" x 3" slotted channel front 3" x 5" slotted channel back	2	1	3.00 lb
* WMB2BH	Dual-Sided Horizontal Wire Manager with Hinged Covers	3" x 3" slotted channel front 3" x 5" slotted channel back	2	1	3.00 lb
Three Rack Unit Managers					
8. WMB31	Single-Sided Horizontal Wire Manager	4" x 5" slotted channel front	3	1	2.00 lb
* WMB31H	Single-Sided Horizontal Wire Manager with hinged cover	4" x 5" slotted channel front w/ 2 hinges	3	1	2.00 lb
9. WMB32	Dual-Sided Horizontal Wire Manager	4" x 5" slotted channel front & back	3	1	4.00 lb
* WMB32H	Dual-Sided Horizontal Wire Manager with hinged covers	4" x 5" slotted channel front & back	3	1	4.00 lb



* No drawing pictured

Replacement/extra covers and hinges are listed after the vertical wire management brackets . Wire managers with hinged covers ship with two hinges.

Vertical Wire Management Brackets

The vertical wire manager is also available in single and dual-sided styles. It can be mounted on the side of the relay rack as well as between two adjacent racks. Equipped with feed-through holes to move cable from back to front and vice versa, the black vertical wire management bracket is offered in 35" lengths and 83" lengths. The VWMC4X4X5BK7 and VWMS4X4X5BK7 have 4" x 5" duct on the front and 4" x 4" duct on the back.

In case of lost covers, HellermannTyton offers replacement covers for the vertical wire management brackets. HellermannTyton's wire managers also feature an easily removable plastic film on the cover to eliminate scratches during shipment. This plastic film ensures a neat appearance and improves rack aesthetics when the wire managers are installed, an important consideration to installers and end-users.



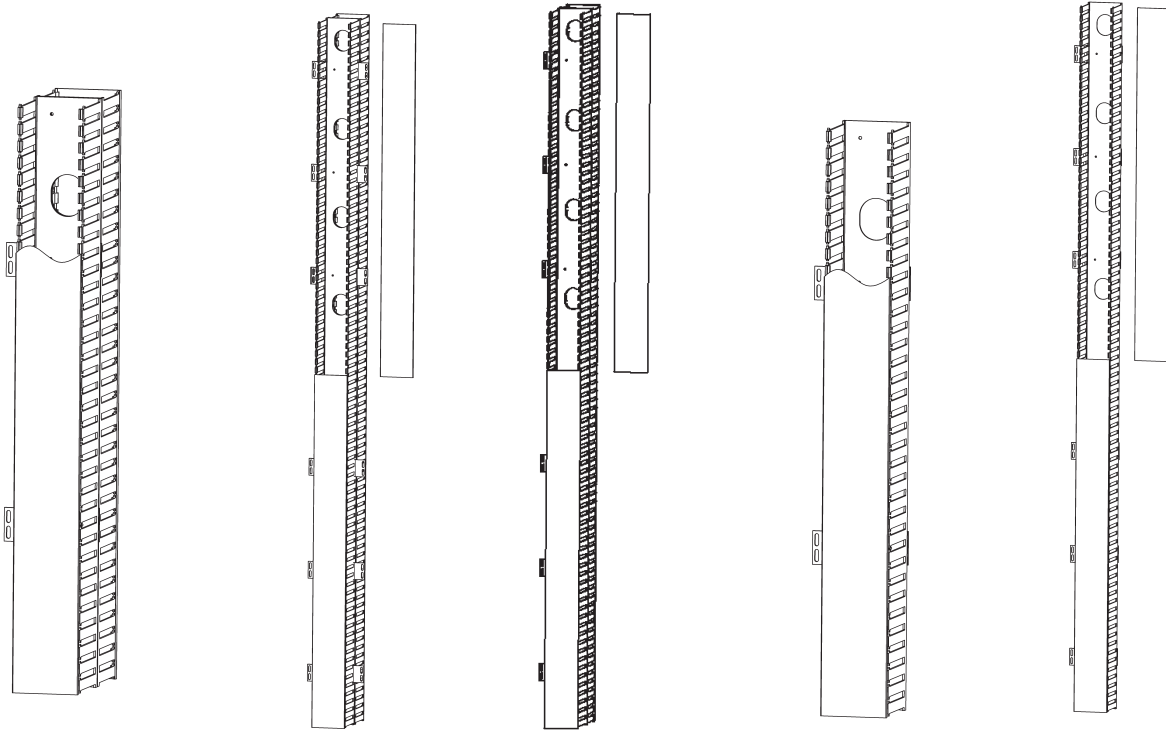
Plastic film to protect cover provided

Wire Management Bracket Hinges

HellermannTyton also offers replacement/extra hinges for the wire management brackets. All designs of wire management brackets perform with the wire management bracket hinge. This hinge allows the cover to remain with the manager. It easily snaps onto the cover and the channel. Once assembled, the hinge permits the cover to open like a door, protecting the wire and cable.



Wire Management Bracket Hinges



1. VWMDS4X5BK

2. VWMDS4X5BK7

3. VVMS4X4X5BK7

4. VWMSS4X5BK

5. VWMSS4X5BK7

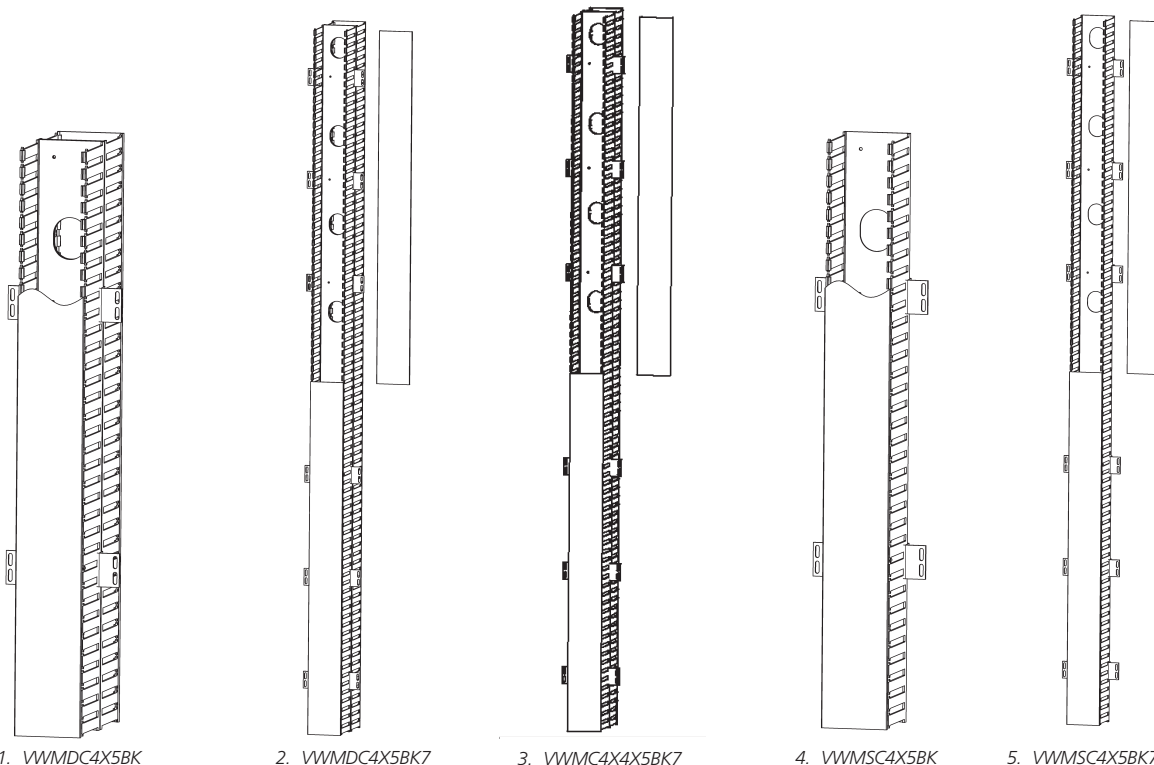
Vertical Wire Management Brackets

Product Selection

Part Number	Description	Dimensions	Pkg. Qty.	Shipping Weight
Side Mount - Dual-sided, front and back management				
1. VWMDS4X5BK	Dual-Sided, Side Mount Mgr.	35" high 4" x 5" slotted channel on front and back	1	7.0 lb
* VWMDS4X5BKH	Dual-Sided, Side Mount Wire Mgr. with Hinged Covers	35" high 4" x 5" slotted channel on front and back with 4 hinges	1	7.0 lb
2. VWMDS4X5BK7	Dual-Sided, Side Mount Wire Mgr.	83" high 4" x 5" slotted channel on front and back	1	16.0 lb
* VWMDS4X5BK7H	Dual-Sided, Side Mount Wire Mgr. with Hinged Covers	83" high 4" x 5" slotted channel on front and back with 8 hinges	1	16.0 lb
3. VVMS4X4X5BK7	Dual-Sided, Side Mount Wire Mgr.	83" high 4" x 5" slotted channel on front and 4" x 4" slotted channel on back	1	16.0 lb
Side Mount - Single-sided, front only management				
4. VWMSS4X5BK	Single-Sided, Side Mount Wire Mgr.	35" high 4" x 5" slotted channel on front	1	3.5 lb
* VWMSS4X5BKH	Single-Sided, Side Mount Wire Mgr. with Hinged Covers	35" high 4" x 5" slotted channel on front with 4 hinges	1	3.5 lb
5. VWMSS4X5BK7	Single-Sided, Side Mount Wire Mgr.	83" high 4" x 5" slotted channel on front	1	9.0 lb
* VWMSS4X5BK7H	Single-Sided, Side Mount Wire Mgr. with Hinged Covers	83" high 4" x 5" slotted channel on front with 8 hinges	1	9.0 lb



* No drawing pictured



Vertical Wire Management Brackets

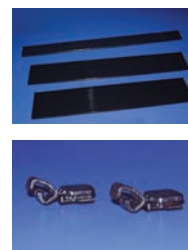
Product Selection

Part Number	Description	Dimensions	Pkg. Qty.	Shipping Weight
Center Mount - Dual-sided, front and back management				
1. VWMDC4X5BK	Dual-Sided, Center Mount Wire Mgr.	35" high 4" x 5" slotted channel on front and back	1	7.0 lb
2. VWMDC4X5BK7	Dual-Sided, Center Mount Wire Mgr.	83" high 4" x 5" slotted channel on front and back	1	16.0 lb
3. VVMC4X4X5BK7	Dual-Sided, Center Mount Wire Mgr.	83" high 4" x 5" slotted channel on front and 4" x 4" slotted channel on back	1	16.0 lb
Center Mount - Single-sided, front only management				
4. VWMSC4X5BK	Single-Sided, Center Mount Wire Mgr.	35" high 4" x 5" slotted channel on front	1	3.5 lb
5. VWMSC4X5BK7	Single-Sided, Center Mount Wire Mgr.	83" high 4" x 5" slotted channel on front	1	9.0 lb

Wire Management Bracket Replacement Covers

Product Selection

Part Number	Description	Pkg. Qty.	Carton Qty.
Horizontal Manager Covers			
WMBC15B	Horizontal WMB - WMBN2 Back Replacement	1	10
WMBC15F	Horizontal WMB - WMBN1 and WMBN2 Front Replacement	1	10
WMBC2B	Horizontal WMB - WMB2 Back Replacement	1	10
WMBC2F	Horizontal WMB - WMB1, WMB2 and WMB2B Front Replacement	1	10
WMBC3B	Horizontal WMB - WMB2B Back Replacement Cover	1	10
WMBC4B	Horizontal WMB - WMB32 Back Replacement Cover	1	10
Vertical Manager Covers			
VVMC18	Vertical WMB - Replacement Covers for 35" Managers	1	-
VVMC42	Vertical WMB - Replacement Cover for 83" Managers	1	-
Hinges			
WMBH	Wire Management Bracket Hinges	25	-

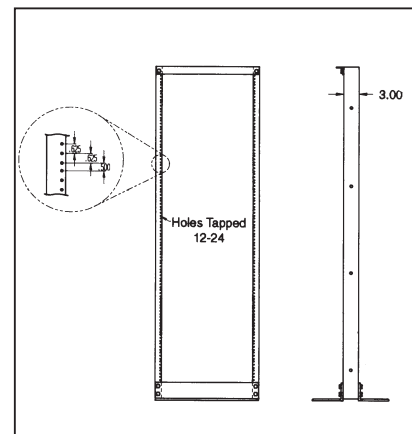
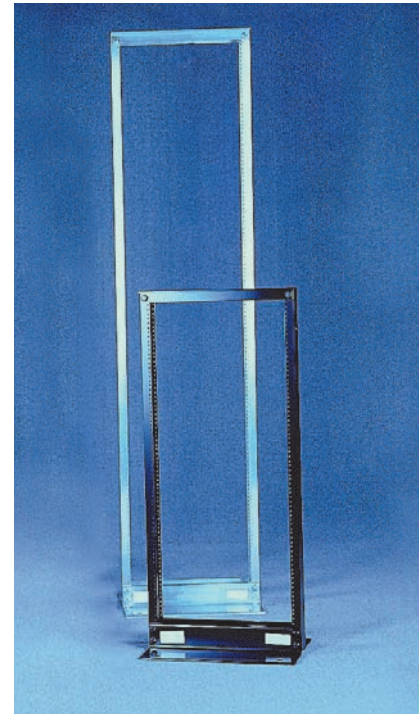


Relay Racks

HellermannTyton's modular relay racks are ideal for mounting patch panels, shelves, electronic and test equipment, data and telecommunications equipment and other rack mount products in telecommunications and equipment rooms.

The free-standing racks are manufactured from heavy duty all-aluminum extrusions and are designed to bolt to the floor for extra stability. Assembly is easily accomplished using a standard socket or adjustable wrench and the supplied bolts.

- Standard 19" EIA rack mount widths
- Equipped with 12-24 tapped holes on front and rear flanges
- EIA universal hole spacing for a variety of mounting options
- Available in aluminum mill and black powder coat finish
- Available in 48" and 84" heights
- Pre-threaded holes in upright channels allow for easy assembly of top angles and bases
- Only 12 bolts required for assembly
- Approved per UL standard 1459 for telephone equipment
- Approved per UL standard 1863 for communications circuit accessories



Product Selection

Part Number	Color	Height	Width	Rack Units	Shipping Weight	Pkg. Qty.
T4RR	Mill Finish	47.25"	19"	24	28 lbs.	1
T4RRB	Black	47.25"	19"	24	28 lbs.	1
T7RR	Mill Finish	84"	19"	45	31 lbs.	1
T7RRB	Black	84"	19"	45	31 lbs.	1

Wall Mount Swing-out Rack

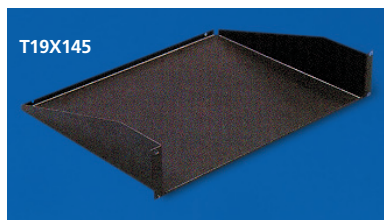
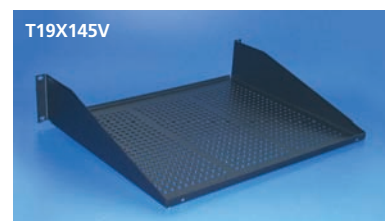
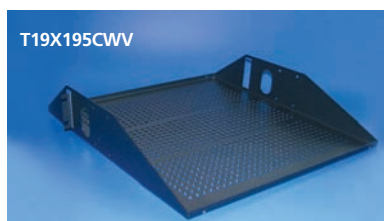
This wall mount rack swings equipment out for ease of wiring. It is equipped with quick-release hinges allowing the rack to be opened from either the right or the left. The rack features standard 19" EIA rack mount widths, equipped with 12-24 tapped holes on front and rear flanges.



Part Number	Color	Height	Width	Product Selection		
				Depth	Rack Units	Pkg Qty
T24PPR	Black	24"	20.75"	18"	12	1

Shelves

HellermannTyton offers two styles of solid and vented equipment shelves for mounting telecommunications devices in a 19" rack or cabinet. The cantilevered shelf mounts to the front or rear of the rack's mounting rails. Both the center weight and the cantilevered shelf are manufactured from 16 gauge steel and they come with 10-32 and 12-24 mounting hardware. The cantilevered shelf is rated for 50 pound capacity and the center weight is rated for 75 pound capacity.



Part Number	Description	Color	Width	Depth	Height	Product Selection	
						Shipping Weight	Pkg. Qty.
T19X195CW	Solid Center Weight Equipment Shelf	Black	19"	19"	3.44"	9 lbs.	1
T19X195CWV	Vented Center Weight Equipment Shelf	Black	19"	19"	3.44"	8.3 lbs.	1
T19X145	Solid Cantilevered Equipment Shelf	Black	19"	14"	3.44"	7 lbs.	1
T19X145V	Vented Cantilevered Equipment Shelf	Black	19"	14"	3.44"	6.1 lbs.	1

Power Strips

Available in a 6 or 10 outlet format, these 19" powerstrips can be mounted directly onto the relay rack. All powerstrips meet UL Standard 1363 and 1449. The 10 outlet powerstrip is equipped with or without surge protection. The Powerstrip-10S has a surge suppression level of 330V with a clamping response time of less than 5 nanoseconds. All powerstrips are equipped with a 10 foot power cord.



Product Selection

Part Number	Description	Color	Width	Height	Pkg. Qty.
POWERSTRIP-6	Rack Mount Powerstrip – 6 Outlet	Black	19"	1.719"	1
POWERSTRIP-10	Rack Mount Powerstrip – 10 Outlet	Black	19"	1.719"	1
POWERSTRIP-10S	Rack Mount Powerstrip – 10 Outlet w/Surge Protection	Black	19"	1.719"	1

Blank Rack Panels

HellermannTyton's blank rack panels provide a filler for unused rack spaces. Available in three sizes, they aesthetically reserve rack space for future use.



Product Selection

Part Number	Color	Height	Width	Rack Units	Pkg Qty
TBP1	Black	1.75"	19"	1	1
TBP2	Black	3.5"	19"	2	1
TBP3	Black	5.25"	19"	3	1

Wall Mount Patch Panel Bracket

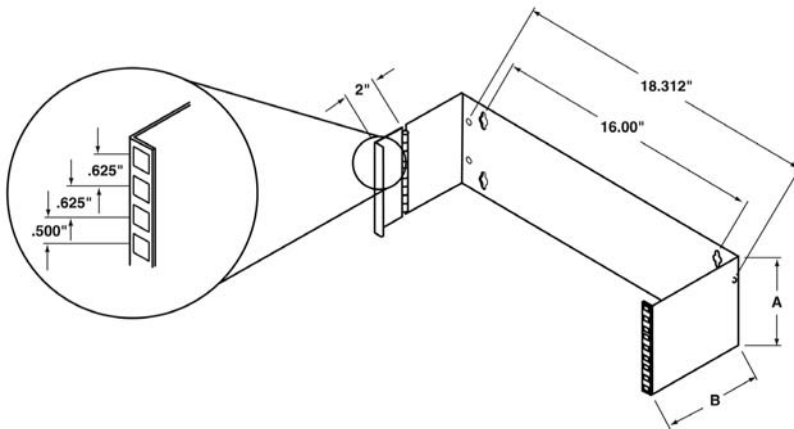
HellermannTyton offers wall mount patch panel brackets for smaller cabling installations. The wall mount brackets aid in conserving valuable floor space within the telecommunications room.

Designed for 19" patch panels, these hinged brackets can be mounted directly onto a wall. They are available with right or left hand hinging, allowing complete access to the back of the patch panel. The bracket holes utilize universal EIA spacing. They are manufactured from heavy duty 16 gauge steel and finished with a black polyurethane baked paint. HellermannTyton's horizontal wire management brackets may also be mounted onto the wall mount brackets in order to organize excess cable.



Product Selection

Part Number	Color	Height	Depth	Rack Units
T1PPB	Black	1.75"	6"	1
T3PPB	Black	3.5"	6"	2
T3PPB8	Black	3.5"	8"	2
T5PPB	Black	5.25"	6"	3
T7PPB	Black	7"	6"	4
T7PPB8	Black	7"	8"	4



Racks and Cable Management Products

Cable Management Panels

For a clean and simple solution to eliminating cable clutter on a relay rack, HellermannTyton offers a line of open cable management panels. Equipped with metal or plastic hangers, these 19" panels provide fast and easy organization.



- Equipped with 12 plastic clips and 2 metal rings
- A 1 unit manager for small bundles of cable



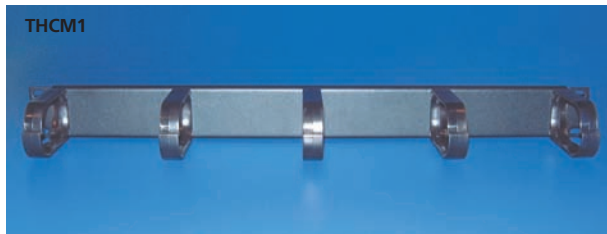
- Equipped with 24 plastic clips and 3 metal rings
- A 2 unit manager for larger cable bundles



- A 1 unit manager with 5 metal rings
- Available with 4 feed-through holes to transfer cable from front to back and vice versa



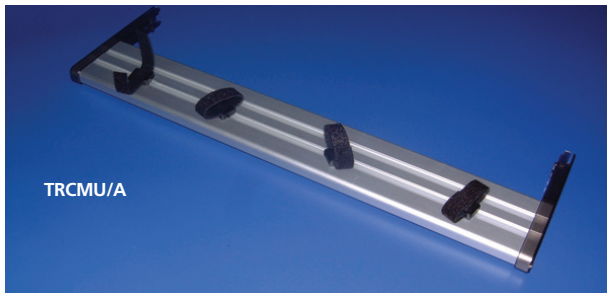
- A 2 unit manager with 5 metal rings
- Available with 8 feed-through holes to move cable from front to back and vice versa



- Equipped with 5 wide plastic rings/cables easily slip into rings
- A 1 unit manager



- A 2 unit manager with 5 plastic rings/cables easily slip into rings



- Rear cable manager for HellermannTyton's AlphaSnap/Universal Patch Panel
- Utilizes Grip Ties to manage bundles

Product Selection

Part Number	Description	Color	Hangers	Rack Space	Pkg. Qty.
TCMP-1	Horizontal Cable Management Panel	Black	12 plastic clips & two metal rings	1	1
TCMP-2	Horizontal Cable Management Panel	Black	24 plastic clips & three metal rings	2	1
THCO1	Horizontal Cable Organizer	Black	Five metal rings	1	1
THCO2	Horizontal Cable Organizer	Black	Five metal rings	2	1
THCM1	Horizontal Cable Manager	Black	Five plastic rings	1	1
THCM2	Horizontal Cable Manager	Black	Five plastic rings	2	1
TRCMA	Rear Cable Manager/ AlphaSnap™ Patch Panel	Aluminum	Hook and loop ties w/ mounts	N/A	1
TRCMU	Rear Cable Manager/ Universal Patch Panel	Aluminum	Hook and loop ties w/ mounts	N/A	1
TFCM	Front Cable Manager	Black	Metal slots w/grip ties	N/A	1