

Linear Motors



Products and specifications subject to change without notice.

Order/Technical Support - Tel: (800) 677-5311 / FAX: (800) 677-3865 / www.crouzet-usa.com

Linear actuators -synchronous

→ 10 mm displacement - 115 Volts

A range of digital linear actuators based upon synchronous motor technology. They offer a linear travel of 10 mm as standard and up to 35 mm upon request for versions with an anti-rotation device built-in.

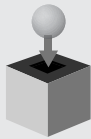
- Linear step speed 0.833 or 1.67 mm per second.
- Output force between 27 and 45 N.



Specifications

	Low speed - series connection	Low speed - parallel connection	High speed - series connection	High speed - parallel connection
Part numbers	80 510 0 ●	80 510 0 ●	80 510 5 ●	80 510 5 ●
General characteristics				
Rated displacement (mm)	10	10	10	10
Base speed of motor (rpm)	250	250	500	500
Vitesse de déplacement (f= 50 Hz) (mm/s)	0.833	0.833	1.67	1.67
End stop				
Axial load (static) daN	10	10	10	10
Radial load	Consult us	Consult us	Consult us	Consult us
Ambient operating temperature (°C)	-5 / +75	-5 → +75	-5→+75	-5 → +75
Wires length (mm)	250 ± 10	250 ± 10	250±10	250 ± 10
Electromechanical specifications				
Dynamic axial load to 100 Hz (N)	35	45	27	38
Absorbed power (W)	2.7	4.3	2.7	4.3
Absorbed current nominal (A)	10.9 mA	16 mA	10.9 mA	16 mA
Temperature rise at T = 25°C	57°C ± 10 %	80°C ± 10 %	57°C ± 10 %	80°C ± 10 %
Life	500 000 cycles	500 000 cycles	500 000 cycles	500 000 cycles
Mounting position	Any position	Shaft horizontal	Any position	Shaft horizontal
Storage temperature (°C)	-40→+80	-40 → +80	-40 → +80	-40 → +80
Weight (g)	90	90	90	90

Products adaptations, available on request



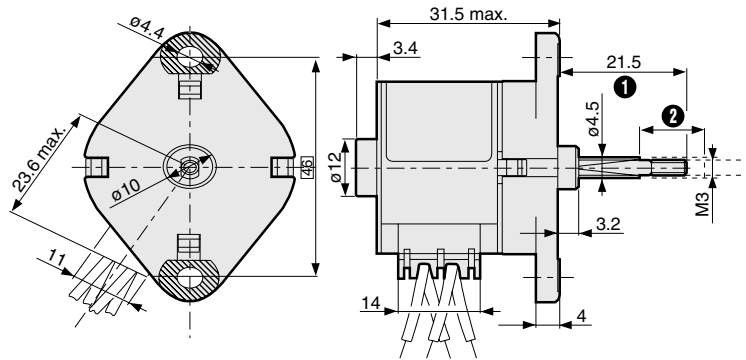
- Product adaptations available upon request
- Special output shafts
- Pinion on output shaft
- Special supply voltages
- Special lead lengths
- Special output bearings
- Special mounting plate
- Customized electronics
- Special construction materials
- Special connectors

Products and specifications subject to change without notice.

Order/Technical Support - Tel: (800) 677-5311 / FAX: (800) 677-3865 / www.crouzet-usa.com

Dimensions

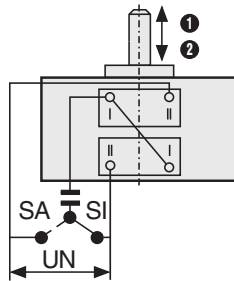
80 510 0 - 80 510 5



B Shaft in
C Travel

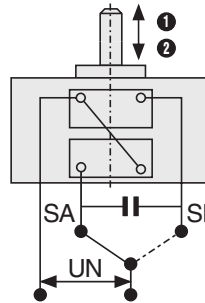
Connections

In series



B SA : Shaft out
C Si : Shaft in

In parallel



B SA : Shaft out
C Si : Shaft in

Other information

Electromagnetic compatibility :
Conducted emissions : EN 55 014
Radiated emissions : EN 55 022
Protection index IP40 EN 60 034 / CEI 529
Temperature limit when stalled Classe B EN 60 335-1 CEI 85

Products and specifications subject to change without notice.

Order/Technical Support - Tel: (800) 677-5311 / FAX: (800) 677-3865 / www.crouzet-usa.com

Linear actuators -stepper

→ 10 mm displacement -7.5° step angle

A range of digital linear actuators based upon stepper motor technology. They offer a linear travel of 10 mm as standard and up to 35 mm upon request for versions with an anti-rotation device built-in.

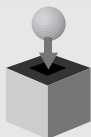
- Linear step displacement 0.0167 mm per step.
- Available in 2 or 4 phase configuration.
- Output force 38 or 58 N.



Specifications

	80 910 0 -2 phase	80 910 0 -4 phase
Type	80 910 0	80 910 0
nominal voltage (V)	5.6	12.7
Part numbers	●	●
General characteristics		
Motor step (°)	7.5	7.5
Number of phases	2	4
Rated displacement (mm)	10	10
Linear step displacement (mm)	0.0167	0.0167
Positioning accuracy (mm)	< 0.01	< 0.01
Axial load (static) daN	10	10
Radial load	Consult us	Consult us
Operating temperature (°C)	-5 → +75	-5 → +75
Wires length (mm)	250 ± 10	250 ± 10
Coil (Ω)	12.9	66
Electromechanical specifications		
Dynamic axial load to 100 Hz (N)	58	38
Absorbed power (W)	5	5
Absorbed current nominal (A)	0.44 A nominal	0.145 A nominal
Life	500 000 cycles	500 000 cycles
Mounting position	Any	Any
Storage temperature (°C)	-40 → +80	-40 → +80
Weight (g)	90	90

Products adaptations, available on request



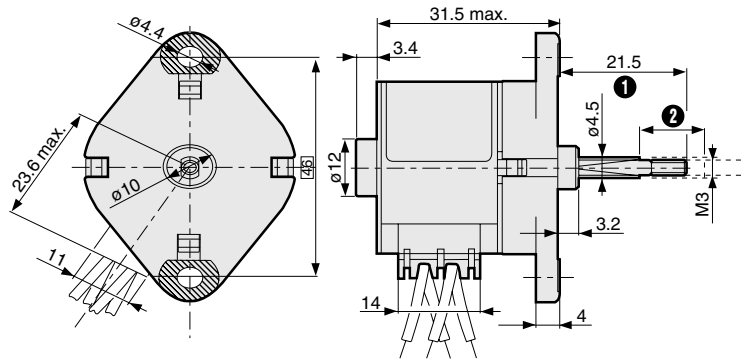
- Product adaptations available upon request
- Special output shafts
- Pinion on output shaft
- Special supply voltages
- Special lead lengths
- Special output bearings
- Special mounting plate
- Customized electronics
- Special construction materials
- Special connectors

Products and specifications subject to change without notice.

Order/Technical Support - Tel: (800) 677-5311 / FAX: (800) 677-3865 / www.crouzet-usa.com

Dimensions

80 910 0

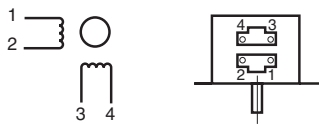


B Shaft in
C Travel

Connections

2 phases

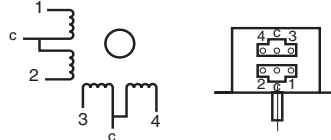
	1	2	3	4
1	-	+	-	+
2	-	+	+	-
3	+	-	+	-
4	+	-	-	+
5	-	+	-	+



B Step
Energization sequence for shaft outward movement

4 phases

	1	2	3	4
1	-		-	
2	-			-
3		-		-
4			-	
5	-		-	



B Step
Energization sequence for shaft outward movement

Other information

Electromagnetic compatibility :
 Conducted emissions : EN 55 014
 Radiated emissions : EN 55 022
 Protection index IP40 EN 60 034 / CEI 529
 Temperature limit when stalled Classe B EN 60 335-1 CEI 85

Products and specifications subject to change without notice.

Order/Technical Support - Tel: (800) 677-5311 / FAX: (800) 677-3865 / www.crouzet-usa.com

Linear actuators -stepper

→ 10 mm displacement -15° step angle

A range of digital linear actuators based upon stepper motor technology. They offer a linear travel of 10 mm as standard and up to 35 mm upon request for versions with an anti-rotation device built-in.

- Linear step displacement 0.033 mm per step.
- Available in 2 or 4 phase configuration.
- Output force 38 or 43 N.



Specifications

	80 910 0 -2 phase	80 910 5 -4 phase
Type	80 910 5	80 910 5
nominal voltage (V)	5.6	17
Part numbers	●	●
General characteristics		
Motor step (°)	15	15
Number of phases	2	4
Rated displacement (mm)	10	10
Linear step displacement (mm)	0.033	0.033
Positioning accuracy (mm)	< 0.01	< 0.01
Axial load (static) daN	10	10
Radial load	Consult us	Consult us
Operating temperature (°C)	-5 → +75	-5 → +75
Wires length (mm)	250 ± 10	250 ± 10
Coil (Ω)	12.9	115
Electromechanical specifications		
Dynamic axial load to 100 Hz (N)	43	24
Absorbed power (W)	5	5
Absorbed current nominal (A)	0.44	0.12
Life	500 000 cycles	500 000 cycles
Mounting position	Any	Any
Storage temperature (°C)	-40 → +80	-40 → +80
Weight (g)	90	90

Products adaptations, available on request



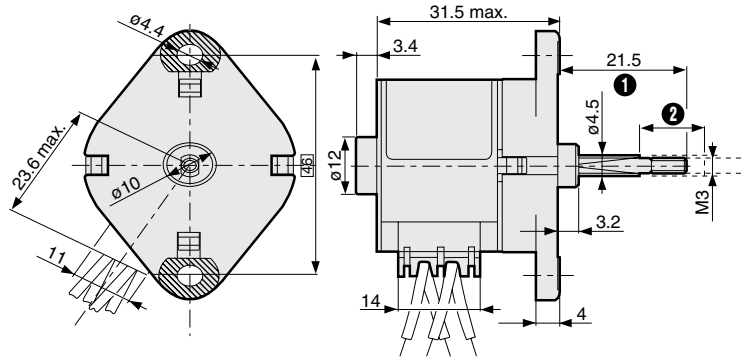
- Product adaptations available upon request
- Special output shafts
- Pinion on output shaft
- Special supply voltages
- Special lead lengths
- Special output bearings
- Special mounting plate
- Customized electronics
- Special construction materials
- Special connectors

Products and specifications subject to change without notice.

Order/Technical Support - Tel: (800) 677-5311 / FAX: (800) 677-3865 / www.crouzet-usa.com

Dimensions

80 910 5

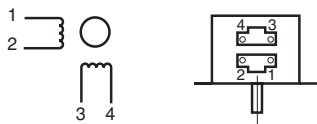


B Shaft in
C Travel

Connections

2 phases

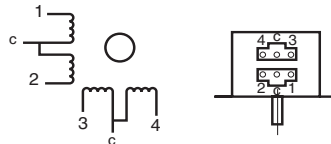
	1	2	3	4
1	-	+	-	+
2	-	+	+	-
3	+	-	+	-
4	+	-	-	+
5	-	+	-	+



B Step
Energization sequence for shaft outward movement

4 phases

	1	2	3	4
1	-		-	
2	-			-
3		-		-
4			-	
5	-		-	



B Step
Energization sequence for shaft outward movement

Other information

Electromagnetic compatibility :
 Conducted emissions : EN 55 014
 Radiated emissions : EN 55 022
 Protection index IP40 EN 60 034 / CEI 529
 Temperature limit when stalled Classe B EN 60 335-1 CEI 85

Products and specifications subject to change without notice.

Order/Technical Support - Tel: (800) 677-5311 / FAX: (800) 677-3865 / www.crouzet-usa.com