

TP-103 Series

Printed Circuit Mounted Test Points

[Home](#)

>>[Products](#)

>>[Through Hole](#)

[Surface Mount](#)

[Custom Wireform](#)

[News](#)

[About Us](#)

[Distributor &
Representative
Search](#)

[Contact Us](#)

[Check Stock](#)

[Compliance](#)

[Site Map](#)

Specifications

Materials:

Contact Material: .017" diameter, phosphor bronze #510 alloy

Finish: .0001 Matte Tin over .00005 Nickel

Mechanical:

Mounting Holes: .040" diameter, (minimum) plated through hole

Loop Height: TP-103-02 = .200"
TP-103-03 = .100"

Electrical:

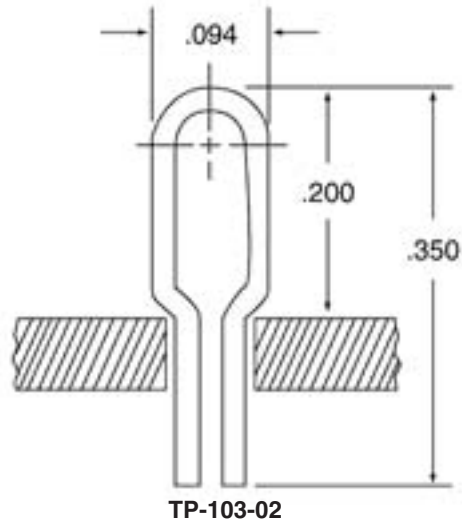
Maximum Current: 2.0 amperes

Special Notations:

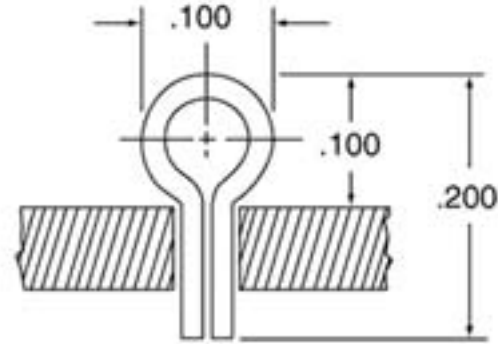
A convenient, inexpensive hand tool (model #1020) is available to facilitate placement of TP-103 test points during assembly operations.



TP-103 Contacts



TP-103-02



TP-103-03

* Note: Leads flared to provide retention in the printed circuit board.

Part number TP-103-02 is suitable for majority of standard board applications. Specify part number TP103-03 for extremely low profile for surface mount compatibility.

Ordering Information

Example



● **Series Designation:**
TP-103

● **Loop Height:**
02 = .200"
03 = .100"

● **Finish:**
Matte Tin over Nickel

Product Description:

With the incorporation of the TP-103 series of printed circuit board mounted test points, significant improvement in function, profile and safety may be realized over the use of .025" square wire wrap posts, the unique loop profiles of these units insure a secure anchor for spring loaded test hooks and scope probes; above board heights are dramatically reduced and technicians need no longer fear puncture wounds when involved in circuit "Trouble Shooting."

Formed from a phosphor bronze alloy, TP-103 test points fit in the same hole diameters formerly occupied by wrap posts. No re-design costs are involved in the application of this product series.

Two part numbers are available in the TP-103 series: The TP-103-02-T offers a loop height of .200" and provides sufficient profile for most conventional printed circuit board designs. The TP-103-03-T is an ultra low profile version compatible with the component height dimensions of surface mount devices.

Certificate of Compliance with Directive 2002/95/EC RoHS

This is to certify that Components Corporation designs, manufactures and supplies products to our customers that are in compliance with directive 2002/95/EC. This also pertains to procurement of raw material, component parts and processes.



Top
of Page

[Open this page as a PDF document](#)

Components Corporation

6 Kinsey Place Denville, NJ 07834 USA

voice: 866.4.COMPCO **fax:** 973.361.5801 **email:** sales@componentscorp.com

©2003 Components Corporation. All Rights Reserved. [Legal Statement](#). [Privacy Notice](#).