

Home

>>Products

Through Hole

>>Surface Mount

Custom Wireform

News

About Us

Distributor &  
Representative  
Search

Check Stock

Compliance

Site Map

Contact Us

## SJ Series

Printed Circuit Surface Mount Jumper

### Specifications

**Materials:**

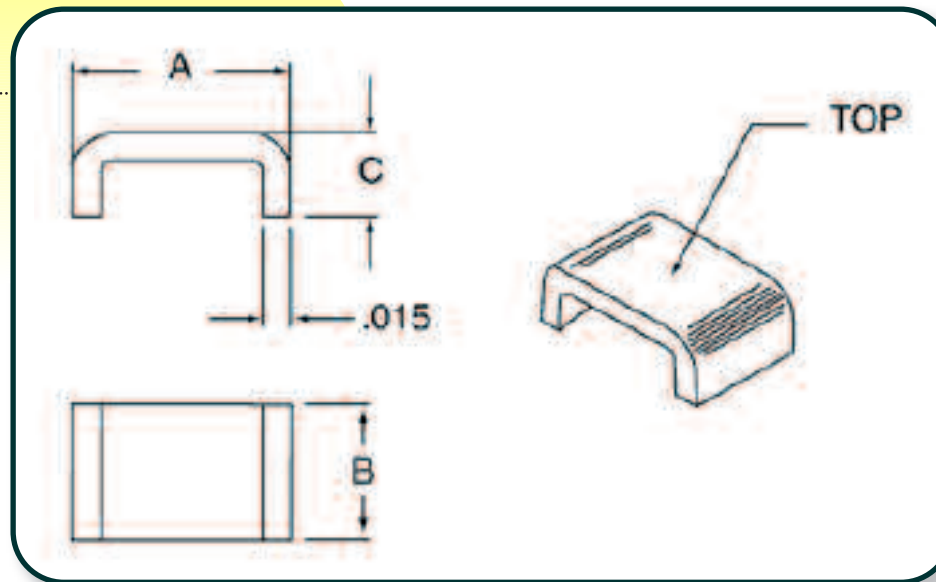
**Contact Material:** #C110 Copper Flat Wire

**Finish:** .0001 Matte Tin over .00005 Nickel

**Electrical:**

**Maximum Current:** 2 amperes

#### SJ Series Contacts

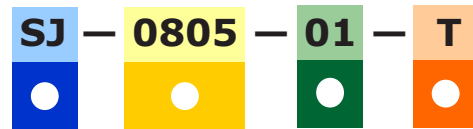


## SJ Series Dimensions

Part Number	Dimension A	Dimension B	Dimension C
SJ-0805-01-T	.080	.050	.050
SJ-1206-01-T	.120	.062	.050

## Ordering Information

Example:



● **Series Designation:**  
SJ

● **Jumper Style:**  
SJ-0805  
SJ-1206

● **Quantity Per Reel:**  
01 = 1,000 pieces

● **Finish:**  
Matte Tin over Nickel

## Product Description

---

The SJ-Series is the first true surface mount technology jumper, developed specifically for SMT applications. A low-cost solution that eliminates the need for zero ohm resistors or other even less acceptable substitutions, the SJ-Series is a flat wireform that offers stability, strength, and reliability when mounted. Manufactured using proprietary Components Corporation methods, this jumper has a matte tin finish for the highest possible performance.

The SJ-Series features an ultra low profile, yet offers sufficient clearance for circuit board paths, requiring no expensive or time-consuming insulation. Compatible with automated placement and soldering equipment, the SJ-Series is delivered on 7" (1000 piece) tape and reel.

### **Certificate of Compliance with Directive 2002/95/EC RoHS**

This is to certify that Components Corporation designs, manufactures and supplies products to our customers that are in compliance with directive 2002/95/EC. This also pertains to procurement of raw material, component parts and processes.



Top  
of Page

[Open this page as a PDF document](#)

**Components Corporation**

6 Kinsey Place Denville, NJ 07834 USA

voice: 866.4.COMPCO fax: 973.361.5801 email: [sales@componentscorp.com](mailto:sales@componentscorp.com)

©2003 Components Corporation. All Rights Reserved. [Legal Statement](#). [Privacy Notice](#).