

MC-10 Card Guide

[Home](#)

[>> Products](#)

[>> Through Hole
Surface Mount
Custom Wireform](#)

[News](#)

[About Us](#)

[Distributor &
Representative
Search](#)

[Contact Us](#)

[Check Stock](#)

[Compliance](#)

[Site Map](#)

Specifications

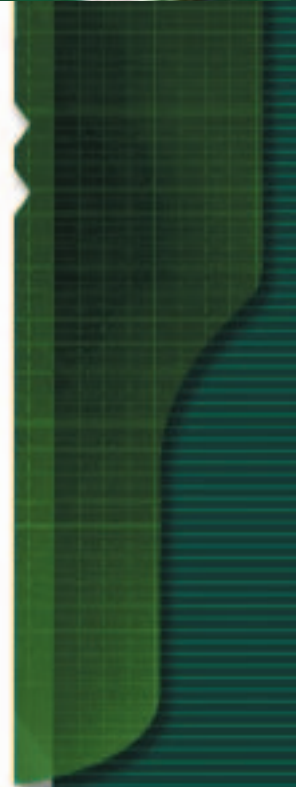
Materials:

Material: #260 brass

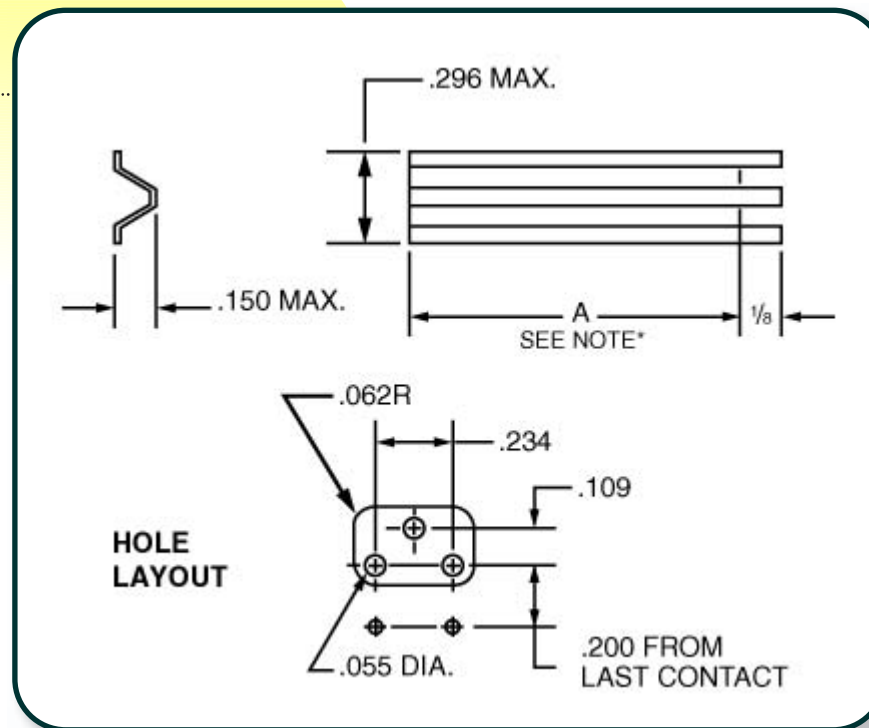
Finish: Bright, Electro-Tin

Electrical:

Mounting Holes: .055" diameter



MC-10 Card Guide Layout

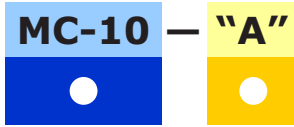


* **Note:** "A" dimension may be specified from $.25$ " minimum to 1.375 " maximum in $.125$ " increments. Specify: MC-10 Series and "A" diameter length.

Ordering Information

Example:

MC-10 – "A"



● **Series Designation:**
MC-10

● **Diameter Length:**
.25" to 1.375" in
.125" increments

Certificate of Compliance with Directive 2002/95/EC RoHS

This is to certify that Components Corporation designs, manufactures and supplies products to our customers that are in compliance with directive 2002/95/EC. This also pertains to procurement of raw material, component parts and processes.



Open this page as a PDF document