



DIGI-KLIP® MDR100 Series

Dual Readout, .100" Centerline Spacing, .200" Row Spacing

Specifications

Materials:

Contact: .0201" Diameter beryllium copper alloy wire:
heat treated after forming; #25 alloy: per QQ-C-530

Contact Finish: See ordering information below (gold plate per MIL-G-45204)

Insulator: 30% glass filled polyester thermoplastic: blue:

Flammability Rating: UL/94V-O

Mechanical:

P.C. Board Thickness: .054" to .071" (.062" nominal)

Insert/Withdrawal Life: Greater than 5000 cycles without increase in contact resistance or reduction in contact pressure.

Contact Normal Force: 4.0 oz., typical per contact with .062" nominal P.C. board

Mounting Holes: .031" diameter, plated-through

Electrical:

Contact Resistance: .006 ohm

Insulation Resistance: greater than 5000 megohm

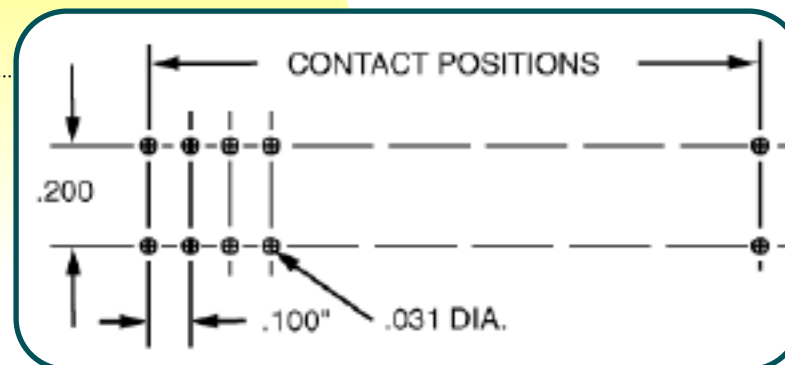
Dielectric Withstand: 2500 VAC at sea level

Maximun Current: 2.0 amps

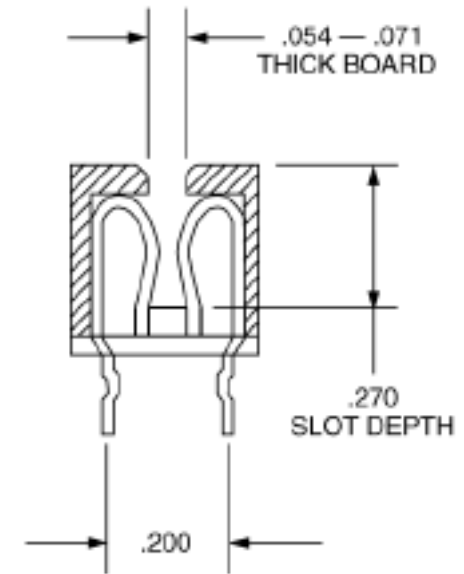
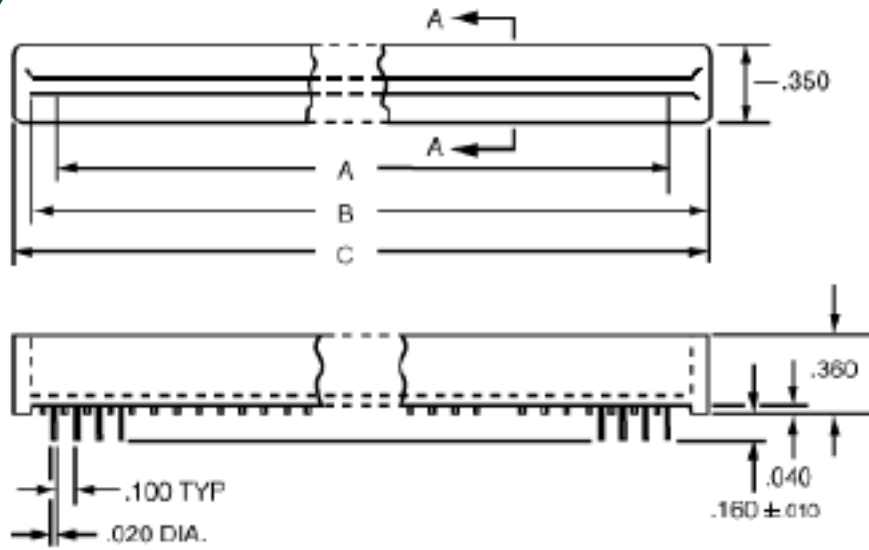
- Home
- >> Products
 - Through Hole
 - Surface Mount
- News
- About Us
- Distributor & Representative Search
- Contact Us
- Check Stock
- Compliance
- Site Map

[Click Here for DIGI-KLIP® High Performance Data Information](#)

MDR Board Layout



MDR Section AA

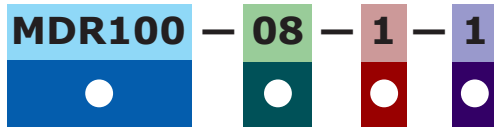


MDR Dimension Chart

Part Number	Number of Dual Contact Positions	A	B	C	Part Number	Number of Dual Contact Positions	A	B	C
MDR100-2	02	.100	.300	.460	MDR100-27	27	2.600	2.800	2.960
MDR100-3	03	.200	.400	.560	MDR100-28	28	2.700	2.900	3.060
MDR100-4	04	.300	.500	.660	MDR100-29	29	2.800	3.000	3.160
MDR100-5	05	.400	.600	.760	MDR100-30	30	2.900	3.100	3.260
MDR100-6	06	.500	.700	.860	MDR100-31	31	3.000	3.200	3.360
MDR100-7	07	.600	.800	.960	MDR100-32	32	3.100	3.300	3.460
MDR100-8	08	.700	.900	1.060	MDR100-33	33	3.200	3.400	3.560
MDR100-9	09	.800	1.000	1.160	MDR100-34	34	3.300	3.500	3.660
MDR100-10	10	.900	1.100	1.260	MDR100-35	35	3.400	3.600	3.760
MDR100-11	11	1.000	1.200	1.360	MDR100-36	36	3.500	3.700	3.860
MDR100-12	12	1.100	1.300	1.460	MDR100-37	37	3.600	3.800	3.960
MDR100-13	13	1.200	1.400	1.560	MDR100-38	38	3.700	3.900	4.060
MDR100-14	14	1.300	1.500	1.660	MDR100-39	39	3.800	4.000	4.160
MDR100-15	15	1.400	1.600	1.760	MDR100-40	40	3.900	4.100	4.260
MDR100-16	16	1.500	1.700	1.860	MDR100-41	41	4.000	4.200	4.360
MDR100-17	17	1.600	1.800	1.960	MDR100-42	42	4.100	4.300	4.460
MDR100-18	18	1.700	1.900	2.060	MDR100-43	43	4.200	4.400	4.560
MDR100-19	19	1.800	2.000	2.160	MDR100-44	44	4.300	4.500	4.660
MDR100-20	20	1.900	2.100	2.260	MDR100-45	45	4.400	4.600	4.760
MDR100-21	21	2.000	2.200	2.360	MDR100-46	46	4.500	4.700	4.860
MDR100-22	22	2.100	2.300	2.460	MDR100-47	47	4.600	4.800	4.960
MDR100-23	23	2.200	2.400	2.560	MDR100-48	48	4.700	4.900	5.060
MDR100-24	24	2.300	2.500	2.660	MDR100-49	49	4.800	5.000	5.160
MDR100-25	25	2.400	2.600	2.760	MDR100-50	50	4.900	5.100	5.260
MDR100-26	26	2.500	2.700	2.860					

Ordering Information

Example



● **Series Designation:**
MDR100 (.100" x .200" row)

● **Number of Dual Contact Positions:**
2 through 50
(4 through 100 contacts)

● **Contact Plating Code:**
1: .00001" gold over .00005" nickel
2: .0001 electro tin over .00005" nickel
3: .00003" gold over .00005 nickel
4: .0001" nickel

● **Receptacle Configuration:**
1: End Caps
2: Open Ends

Polarizing Key Between Contact:
Specify P/N MDR-B

Certificate of Compliance with Directive 2002/95/EC RoHS

This is to certify that Components Corporation designs, manufactures and supplies products to our customers that are in compliance with directive 2002/95/EC. This also pertains to procurement of raw material, component parts and processes.



Open this page as a PDF document