

BC-501

Battery contact

Specifications

Materials:

Contact Material: Phosphor bronze #510 alloy

Finish: .00001 Gold over .00002 Nickel

Package Size: 7"x 12mm, 1000 pieces per reel

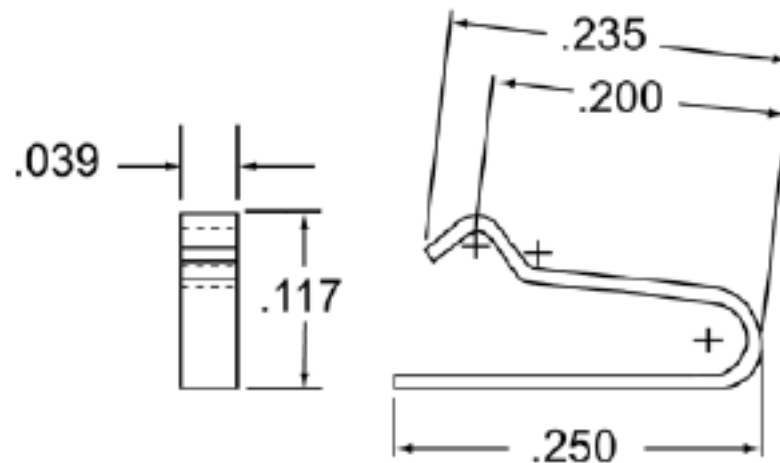
Taping Specification: EIA-481

Electrical:

Maximum Current: 2.0 ampere maximum

- Home
- >>Products
 - >>Through Hole
 - Surface Mount
 - Custom Wireform
- News
- About Us
- Distributor & Representative Search
- Contact Us
- Check Stock
- Compliance
- Site Map

BC-501 Series Contacts



Product Description

Developed specifically for portable electronic devices, the BC-501 Battery Contact from Components Corporation produces a highly reliable spring contact due to its exclusive wireform design. The free-standing BC-501 contacts can be randomly placed on a circuit board allowing better layout and design flexibility. Manufactured using a new generation of Components Corporation proprietary technology, the BC-501 eliminates standard plastic housing, reducing overall package footprint and weight.

The BC-501 is manufactured from phosphor bronze wire with gold plating for the highest possible performance. Suitable for instrumentation and test equipment, medical devices and a variety of hand-held electronics, the BC-501 can handle a 2 amperes maximum current. The battery contacts are packaged on 7" (1000 piece) reels for automated placement and soldering equipment.

Certificate of Compliance with Directive 2002/95/EC RoHS

This is to certify that Components Corporation designs, manufactures and supplies products to our customers that are in compliance with directive 2002/95/EC. This also pertains to procurement of raw material, component parts and processes.



Top
of Page

[Open this page as a PDF document](#)

Components Corporation

6 Kinsey Place Denville, NJ 07834 USA

voice: 973.627.0290 fax: 973.361.5801 email: sales@componentscorp.com

©2003 Components Corporation. All Rights Reserved. [Legal Statement](#). [Privacy Notice](#).