



Slanted enclosures are available in six styles with either rounded or square corners.

Materials

Base and cover

- ABS [Acrylonitrile Butadiene Styrene] (ABS)
- Polycarbonate (PC)
- Aluminum (AL)

Panels

- Anodized Aluminum (AA)

Please see each ordering page for specific information.

Printed Circuit Board (PCB) Guides and Mounting Studs

Most Slanted series enclosures have integral PCB guides and mounting studs.

- The S1 and S2 enclosures have PCB guides that accept boards up to 1.57 mm (.062 in.) thick.
- The S3 and S4 enclosures have PCB guides that accept boards up to 1.4 mm (0.55 in.) thick.
- All Slanted enclosures, except the S1, have integral PCB mounting studs.

Please see each ordering page for the location, quantity and size of all Printed Circuit Board guides and mounting studs, as well as the maximum thickness of a PCB that can be placed into each enclosure.

Packaging

Standard packs are listed on each ordering page.

In a standard pack of one, each enclosure is shrink wrapped individually.

In a standard pack of five, enclosures are shrink wrapped in one package.

SLANTED

Slanted - S1

It has either a 10° or 12° incline for easy operation and readability, square corners and 4 non-skid feet. The base walls have integral Printed Circuit Board (PCB) guides.

Each Kit Includes

Base	Cover	Panel	Screws	Other
1	1	1	4-SC11	4 feet

Assembly

1. Put the cover plate on the mounting posts inside the base.
2. Insert and tighten the 4 panhead self-tapping Phillips screws through the non-skid feet. The same screws are used if you choose not to use the non-skid feet.
3. If desired, invert the enclosure and place the panel in the recess of the base.

Materials

Base: ABS
 Cover plate: Aluminum (AL)
 Panel: Anodized Aluminum (AA)
 Screws: Steel, Nickel Plated (SP)

Standard Colors

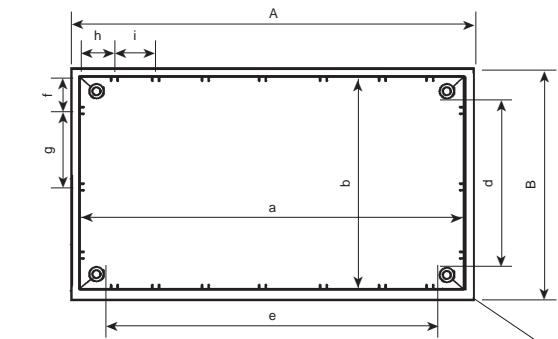
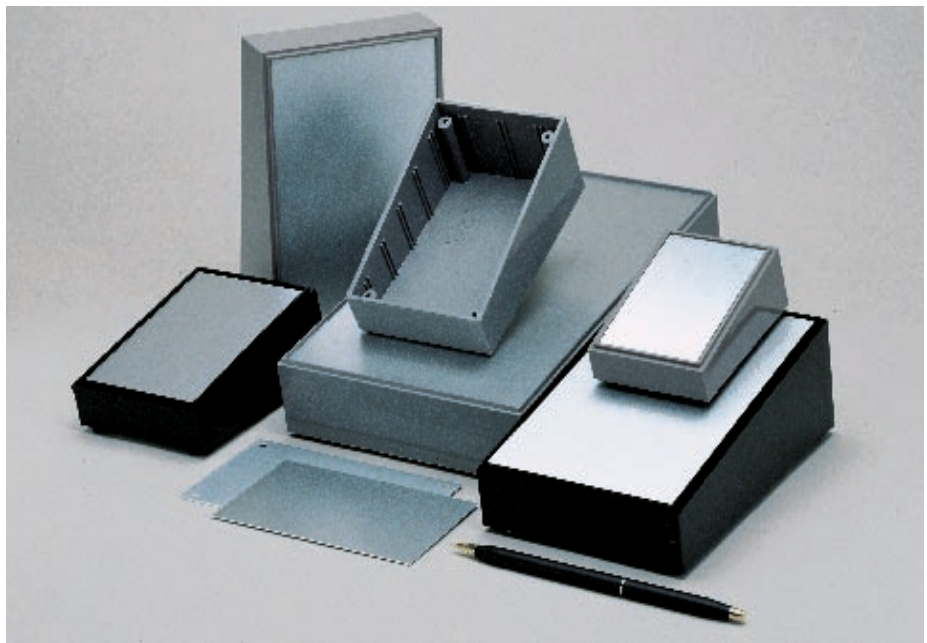
Medium gray, black; glossy finish

Ordering Information

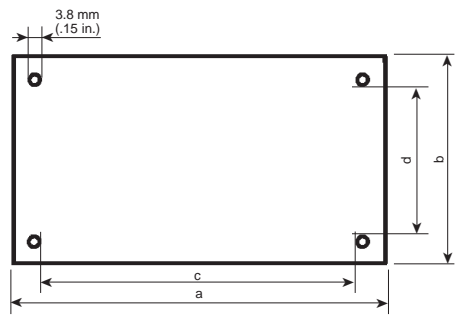
External Dimensions mm (in.) and Special Notes

Type	Cat. No.		Std. Pk.	A	B	C	D	E	M°
	Med. Gray	Black							
S1-101	94.070	94.074	5	85.0 (3.35)	56.0 (2.20)	35.0 (1.38)	21.0 (0.83)	87.0 (3.43)	12.0°
S1-102	94.071	94.075	1	110.0 (4.33)	70.0 (2.76)	46.0 (1.81)	26.0 (1.02)	114.0 (4.49)	12.0°
S1-103	94.072	94.076	1	160.0 (6.30)	96.0 (3.78)	59.0 (2.32)	32.0 (1.26)	165.0 (6.50)	10.0°
S1-104	94.073	94.077	1	215.0 (8.46)	130.0 (5.12)	75.0 (2.95)	40.0 (1.57)	217.0 (8.54)	10.0°

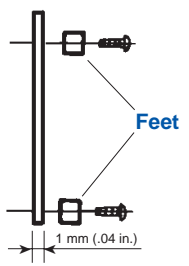
Color Selection: Medium Gray **[M][G]** or Black **[B][K]**



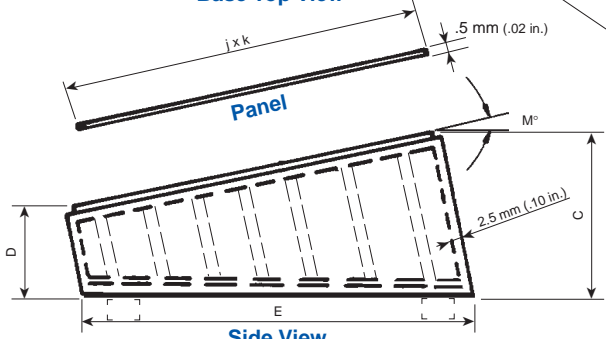
Base Top View



Cover Plate

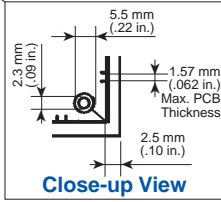


Feet



Panel

Side View



Close-up View

Number of PCB Guides and Mounting Studs

Type	Guides		Studs	
	A	B	Base	Cover
S1-101	5	3	—	—
S1-102	5	3	—	—
S1-103	7	5	—	—
S1-104	7	3	—	—

Guides column refers to external sides A and B.

Internal Dimensions mm (in.)

Type	a	b	c	d	e	f	g	h	i	j	k
S1-101	81.0 (3.19)	51.0 (2.01)	70.6 (2.78)	38.0 (1.50)	67.0 (2.64)	10.5 (0.41)	15.0 (0.59)	10.5 (0.41)	15.0 (0.59)	77.0 (3.03)	47.0 (1.85)
S1-102	105.0 (4.13)	65.0 (2.56)	94.0 (3.70)	49.0 (1.26)	89.0 (3.50)	12.5 (0.49)	20.0 (0.79)	12.5 (0.49)	20.0 (0.79)	101.0 (3.98)	61.0 (2.40)
S1-103	155.0 (6.10)	91.0 (3.58)	144.8 (5.70)	77.0 (1.93)	141.0 (5.55)	12.5 (0.49)	16.5 (0.65)	13.0 (0.51)	21.5 (0.85)	151.0 (5.94)	87.0 (3.43)
S1-104	210.0 (8.27)	125.0 (4.92)	199.0 (7.83)	109.0 (4.29)	195.0 (7.68)	34.5 (1.36)	28.0 (1.10)	10.5 (0.41)	31.5 (1.24)	206.0 (8.11)	121.0 (4.76)

Please see page 84 for information on screws.

Please see page 82 for information on accessories.

Please see page 5 for information on packaging.

Slanted - S2

It has a 15° incline, a recessed aluminum cover plate, square corners and indents for feet. The base walls have integral Printed Circuit Board (PCB) guides and mounting studs. The cover plate is recessed 4 mm (.16 in).

Each Kit Includes

Base	Cover	Screws
1	1	4-SC10

Recommended Accessories

Self-adhesive feet

Assembly

1. Place the cover plate onto the mounting posts inside the base.
2. Insert and tighten the 4 self-tapping screws to secure the cover.

Materials

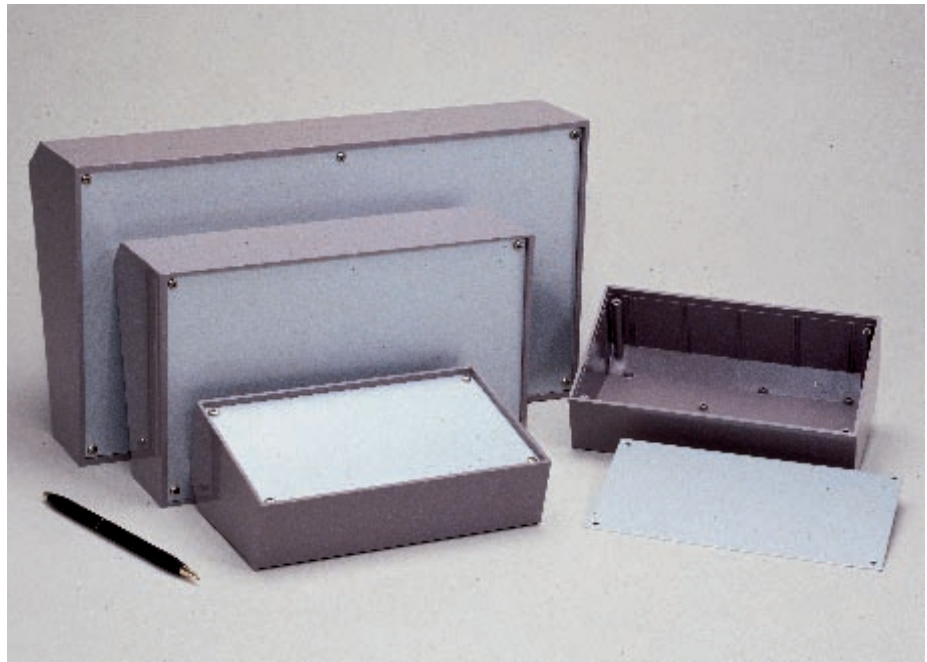
Base: ABS

Cover plate: Aluminum (AL)

Screws: Steel, Nickel Plated (SP)

Standard Color

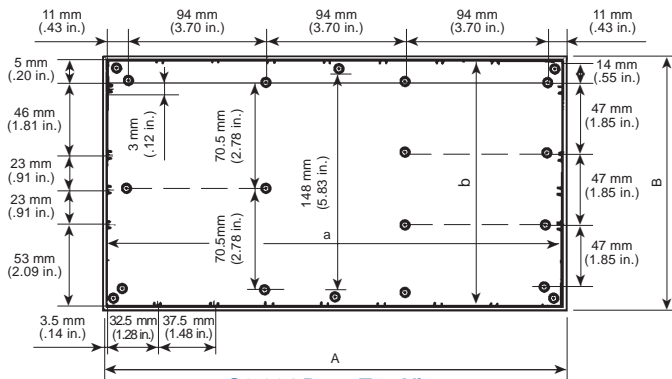
Medium gray; glossy finish



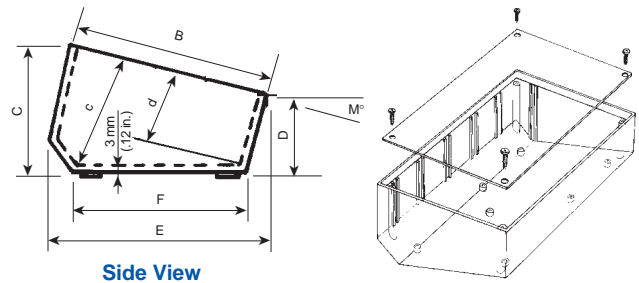
Ordering Information

External Dimensions mm (in.) and Special Notes

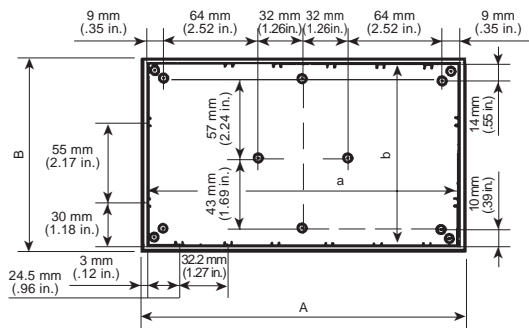
Type	Cat. No.	Std. Pk.	A	B	C	D	E	F	M°
S2-362MG	94.078	1	161.0 (6.34)	97.0 (3.82)	60.0 (2.36)	39.0 (1.54)	105.0 (4.13)	82.5 (3.25)	15.0°
S2-363MG	94.079	1	216.0 (8.50)	130.0 (5.12)	76.5 (3.01)	46.0 (1.81)	140.0 (5.51)	118.0 (4.65)	15.0°
S2-364MG	94.080	1	311.0(12.24)	170.0 (6.69)	87.0 (3.43)	47.0 (1.85)	179.0 (7.05)	155.0 (6.10)	15.0°



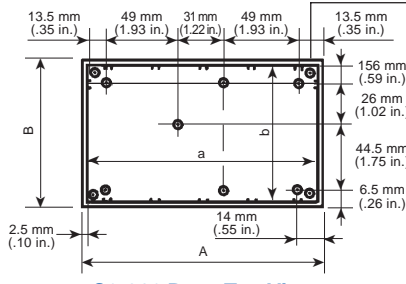
S2-364 Base Top View



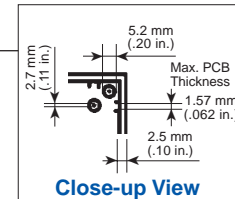
Side View



S2-363 Base Top View



S2-362 Base Top View



Close-up View

Internal Dimensions mm (in.)				
Type	a	b	c	d
S2-362	156.0 (6.14)	92.0 (3.62)	55.0 (2.17)	37.0 (1.46)
S2-363	210.0 (8.27)	124.0 (4.88)	72.5 (2.85)	45.0 (1.77)
S2-364	304.0 (11.97)	163.0 (6.42)	82.0 (3.23)	45.0 (1.46)

Number of PCB Guides and Mounting Studs

Type	Guides		Studs	
	A	E	Base	Cover
S2-362	5	1	7	—
S2-363	6	2	8	—
S2-364	8	5	14	—

Guides column refers to external sides A and E.

Please see page 84 for information on screws.

Please see page 82 for information on accessories.

Please see page 5 for information on packaging.

Slanted - S3

It has a 15° incline, rounded corners, either a recessed aluminum cover plate or panel and a protective, transparent cover (115TPLG and 215TPLG). The base has integral Printed Circuit Board guides and mounting studs.

Each Kit Includes

Base	Cover	Plate or Panel	Screws
1	1	1	4-SC12

Recommended Accessories

Self-adhesive feet

Assembly

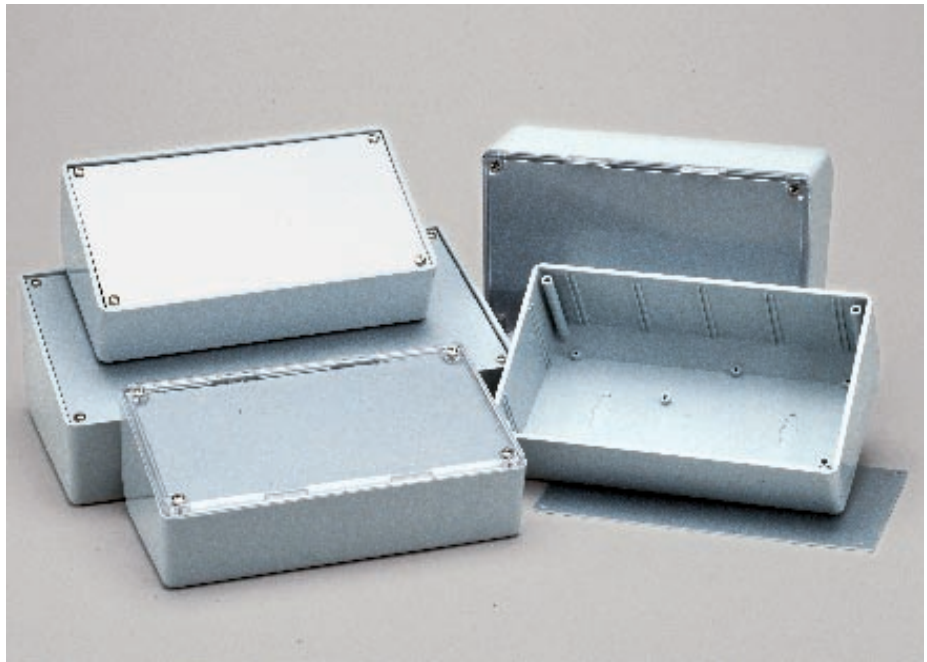
1. Place the cover plate or optional panel onto the four mounting posts.
2. For 115TPLG and 215TPLG, place the transparent cover on the base rim.
3. Insert and tighten the 4 self-tapping Phillips screws to secure the cover.

Materials

Base: ABS
 Cover plate and panel: Aluminum (AL)
 115TPLG/215TPLG Cover: Polyamide (PA)
 Screws: Steel, Nickel Plated (SP)

Standard Color

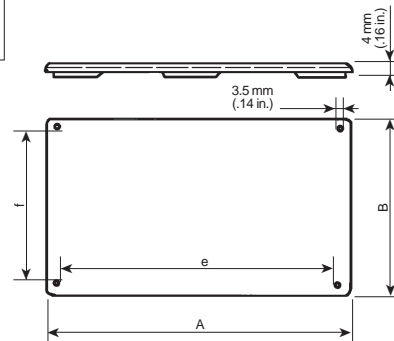
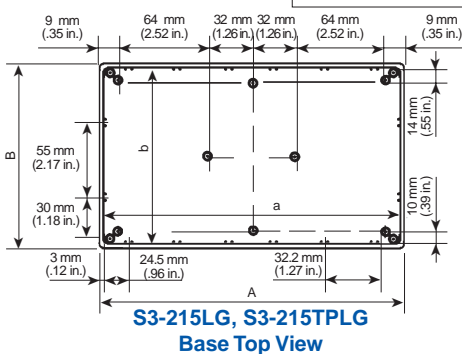
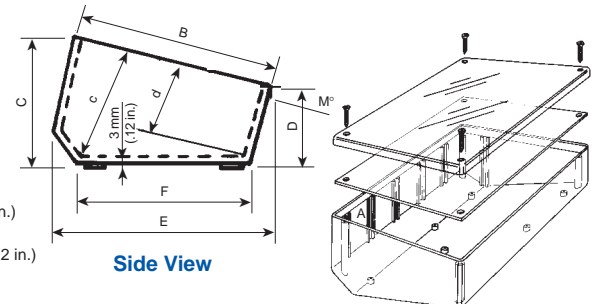
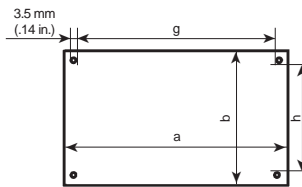
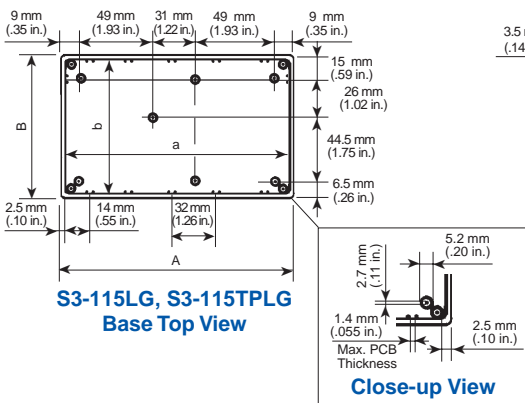
Light gray; glossy finish



Ordering Information

External Dimensions mm (in.) and Special Notes

Type	Cat. No.	Std. Pk.	A	B	C	D	E	F	M ^o
S3-115LG	94.081	1	161.0 (6.34)	95.0 (3.74)	60.0 (2.36)	39.0 (1.54)	103.0 (4.06)	80.5 (3.17)	15.0°
S3-215LG	94.082	1	215.0 (8.46)	130.0 (5.12)	78.0 (3.07)	47.5 (1.87)	140.0 (5.51)	118.0 (4.65)	15.0°
S3-115TPLG	94.085	1	161.0 (6.34)	95.0 (3.74)	63.0 (2.48)	42.0 (1.65)	103.0 (4.06)	80.5 (3.17)	15.0°
S3-215TPLG	94.086	1	215.0 (8.46)	130.0 (5.12)	82.0 (3.23)	51.5 (2.03)	140.0 (5.51)	118.0 (4.65)	15.0°



Number of PCB Guides and Mounting Studs

Type	Guides		Studs	
	A	E	Base	Cover
S3-115	5	2	7	—
S3-215	5	2	8	—
S3-115TP	6	2	7	—
S3-215TP	6	2	8	—

Guides column refers to external sides A and E.

Internal Dimensions mm (in.)

Type	a	b	c	d	e	f	g	h
S3-115	156.0 (6.14)	90.0 (3.54)	55.0 (2.17)	37.0 (1.46)	—	—	142.5 (5.61)	78.5 (3.09)
S3-215	209.0 (8.23)	124.0 (4.88)	74.0 (2.91)	46.5 (1.83)	—	—	196.0 (7.72)	111.6 (4.39)
S3-115TP	156.0 (6.14)	90.0 (3.54)	55.0 (2.17)	37.0 (1.46)	140.0 (5.51)	76.1 (2.30)	142.5 (5.61)	78.5 (3.09)
S3-215TP	209.0 (8.23)	124.0 (4.88)	74.0 (2.91)	46.5 (1.83)	194.0 (7.64)	110.0 (4.33)	196.0 (7.72)	111.6 (4.39)

Please see page 84 for information on screws.

Please see page 82 for information on accessories.

Please see page 5 for information on packaging.

Slanted - S5

It has a 4° incline, rounded corners and non-skid feet. The cover has a recessed area to accept a .5 mm (.02 in.) silk screenable panel (not included). The base has integral Printed Circuit Board (PCB) guides, mounting studs and countersunk screw holes.

Each Kit Includes

Base	Cover	Screws	Other
1	1	4-SC6	4 feet

Recommended Accessories

Silk screenable panel

Assembly

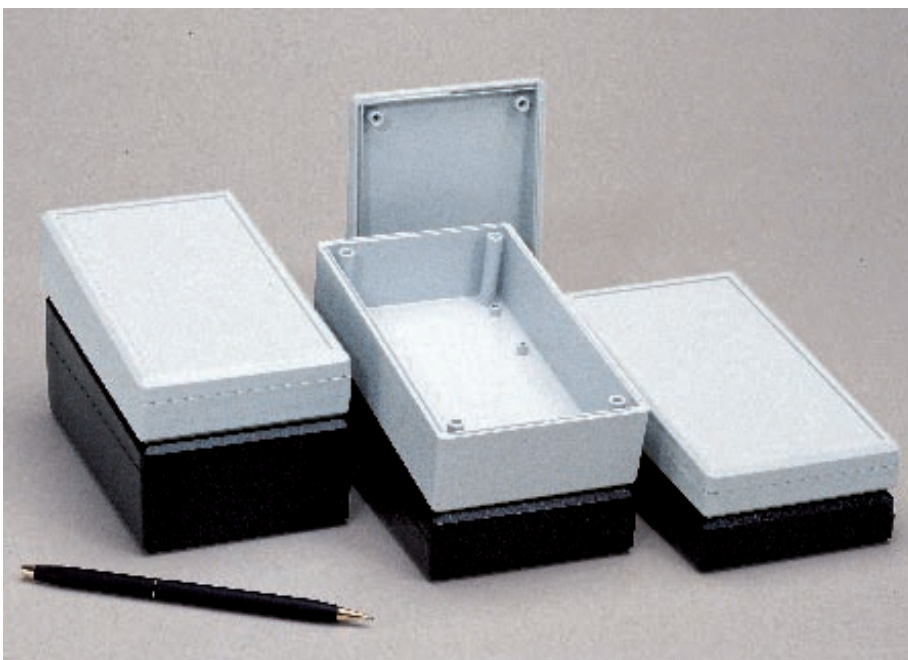
1. Fit the cover to the base using the tongue and groove arrangement as a guide.
2. Insert and tighten the 4 self-tapping screws to secure the cover.
3. If desired, attach the rubber feet to the base.

Materials

Base and cover: ABS
Screws: Steel, Black Finish (SB)

Standard Colors

Light gray, black; matte finish

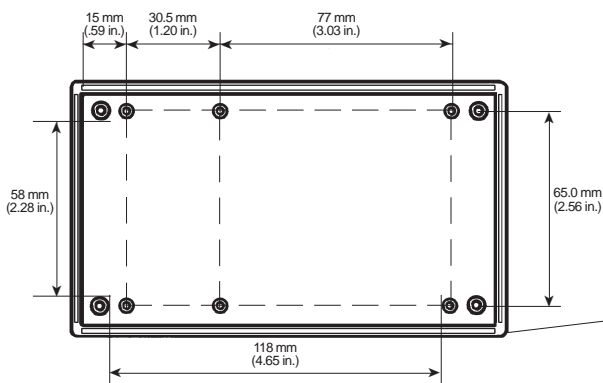


Ordering Information

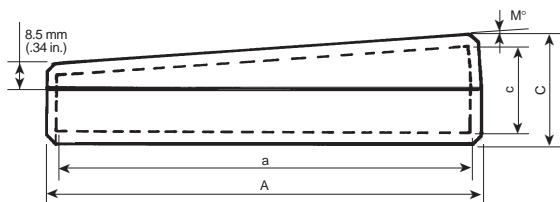
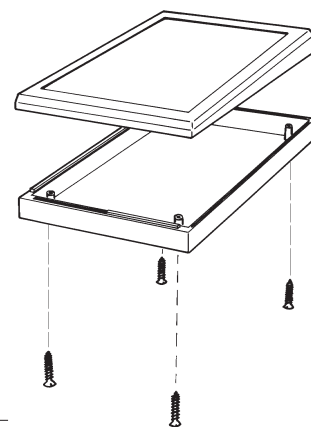
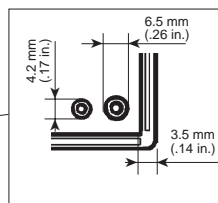
External Dimensions mm (in.) and Special Notes

Type	Cat. No.		Std. Pk.	A	B	C	D	E	M°
	Lt. Gray	Black							
S5-550S <input type="checkbox"/>	94.087	94.090	1	144.5 (5.69)	85.0 (3.35)	30.0 (1.18)	12.5 (0.49)	17.5 (0.69)	4.0°
S5-660S <input type="checkbox"/>	94.088	94.091	1	144.5 (5.69)	85.0 (3.35)	36.0 (1.42)	18.5 (0.73)	17.5 (0.69)	4.0°
S5-770S <input type="checkbox"/>	94.089	94.092	1	144.5 (5.69)	85.0 (3.35)	54.0 (2.13)	36.5 (1.44)	17.5 (0.69)	4.0°

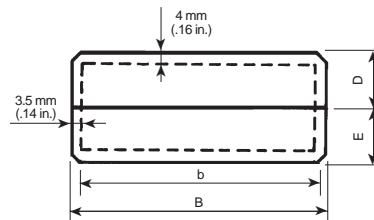
Color Selection: Light Gray or Black



Base Top View



Side View



Front View

Internal Dimensions mm (in.)			
Type	a	b	c
S5-550S	137.5 (5.41)	78.0 (3.07)	22.0 (0.87)
S5-660S	137.5 (5.41)	78.0 (4.07)	28.0 (1.10)
S5-770S	137.5 (5.41)	78.0 (4.07)	46.0 (1.81)

Type	Guides			Studs	
	A	B	E	Base	Cover
S5-550S	—	—	—	6	—
S5-660S	—	—	—	6	—
S5-770S	—	—	—	6	—

Guides column refers to external sides A, B, and E.

Please see page 84 for information on screws.

Please see page 82 for information on accessories.

Please see page 5 for information on packaging.

Slanted - S6

It has an 8° incline and 4 non-skid feet. The base has integral Printed Circuit Board (PCB) mounting studs. The cover has a recessed area to accept a .5 mm (.02 in.) silk screenable panel (not included). The base has countersunk screw holes.

Each Kit Includes

Base	Cover	Screws	Other
1	1	4-SC6	4 feet

Recommended Accessories

Aluminum silk screenable panel

Assembly

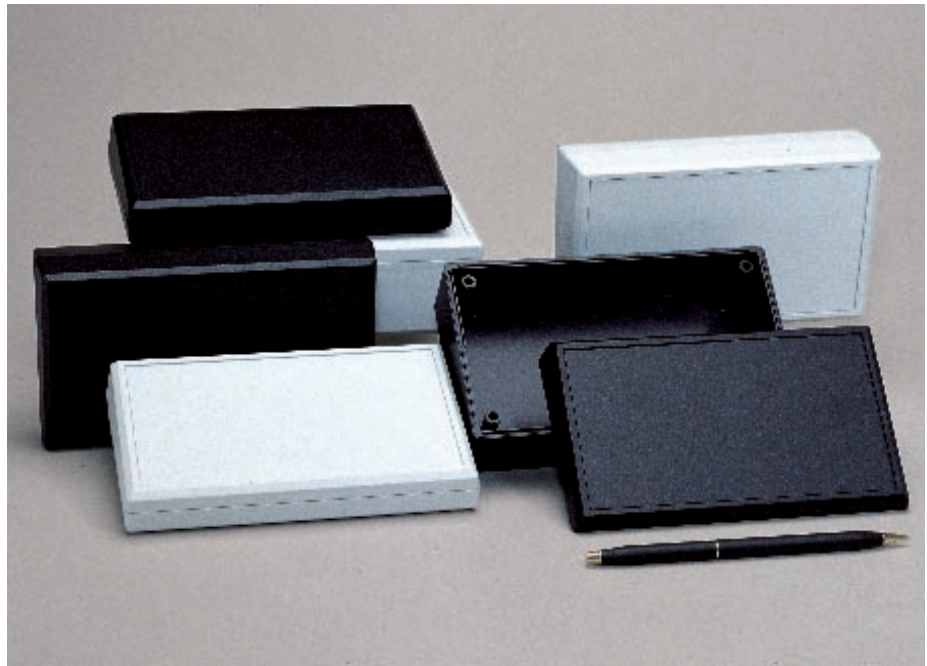
1. Fit the cover to the base using the tongue and groove arrangement.
2. Insert and tighten the 4 self-tapping flathead screws to secure the cover.
3. If desired, attach the rubber feet to the base bottom.

Materials

Base and cover: ABS
Screws: Steel, Black Finish (SB)

Standard Colors

Light gray, black; matte finish

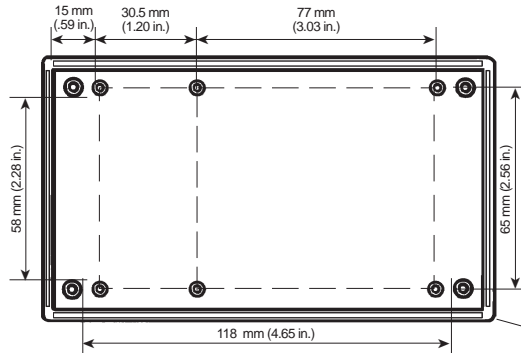


Ordering Information

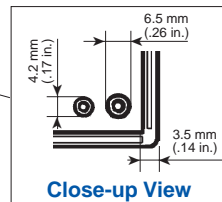
External Dimensions mm (in.) and Special Notes

Type	Cat. No.		Std. Pk.	A	B	C	D	E	M°
	Lt. Gray	Black							
S6-550SP <input type="checkbox"/>	94.093	94.096	1	144.5 (5.69)	85.0 (3.35)	32.0 (1.26)	12.5 (0.49)	19.5 (0.77)	8.0°
S6-660SP <input type="checkbox"/>	94.094	94.097	1	144.5 (5.69)	85.0 (3.35)	38.0 (1.50)	18.5 (0.73)	19.5 (0.77)	8.0°
S6-770SP <input type="checkbox"/>	94.095	94.098	1	144.5 (5.69)	85.0 (3.35)	56.0 (2.20)	36.5 (1.44)	19.5 (0.77)	8.0°

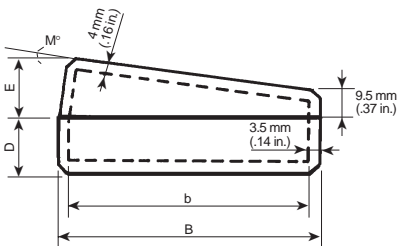
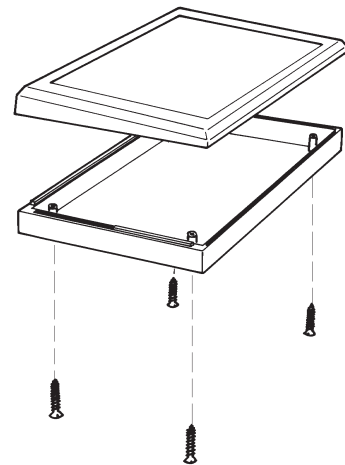
Color Selection: Light Gray [L G] or Black [B K]



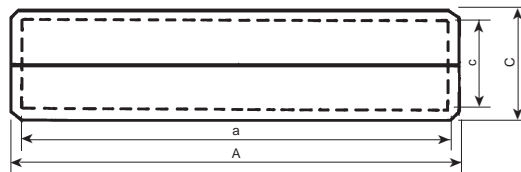
Base Top View



Close-up View



Side View



Front View

Internal Dimensions mm (in.)			
Type	a	b	c
S6-550SP	137.5 (5.41)	78.0 (3.07)	24.0 (0.94)
S6-660SP	137.5 (5.41)	78.0 (3.07)	30.0 (1.18)
S6-770SP	137.5 (5.41)	78.0 (3.07)	48.0 (1.89)

Number of PCB Guides and Mounting Studs

Type	Guides		Studs	
	A	B	Base	Cover
S6-550SP	—	—	6	—
S6-660SP	—	—	6	—
S6-770SP	—	—	6	—

Guides column refers to external sides A and B.

Please see page 84 for information on screws.

Please see page 82 for information on accessories.

Please see page 5 for information on packaging.