



Readout enclosures are rectangular with square or rounded corners. They are available in four styles, including sloped top section, open or closed recessed cover areas, and aluminum or non-metallic front and rear panels. They are available with or without aluminum top panels and battery compartments.

Materials

Base and cover

- ABS [Acrylonitrile Butadiene Styrene] (ABS)

Panels

- ABS [Acrylonitrile Butadiene Styrene] (ABS)
- Aluminum (AL)
- Anodized Aluminum (AA)

Please see each ordering page for specific information.

Printed Circuit Board (PCB) Guides and Mounting Studs

Readout enclosures have integral Printed Circuit Board (PCB) guides and mounting studs.

- The PCB guides accept boards up to 2.10 mm (.083 in.) thick.
- R1 and R2 have PCB guides as well as PCB mounting studs.
- R3 and R4 have PCB mounting studs in the cover.

Please see each ordering page for the location, quantity and size of all Printed Circuit Board guides and mounting studs, as well as the maximum thickness of a PCB that can be placed into each enclosure.

Packaging

To protect your panels, they are shipped with pull-off plastic film on one side.

All Readout enclosures are delivered in standard packs of one.

Types R1, R3 and R4 are shrink wrapped individually.

Type R2 is packed in a cardboard box.

READOUT

Readout - R1

It has a 55° inclined display area. The cover is either solid (R1-242 and R1-243) with recessed areas or it has cutouts for a keyboard or display (R1-242/0 and R1-243/0). Panels can be silk screened. The base has integral Printed Circuit Board (PCB) guides.

Each Kit Includes

Base	Cover	Panel	Screws
1	1	2	2-SC3

Recommended Accessories

Self-adhesive feet

Assembly

1. Slide the front and back panels into the mounting channels in the base.
2. Place the cover on the base.
3. Insert and tighten the 4 flathead, self-tapping Phillips screws.
4. If desired, attach the rubber feet.

Materials

Base and cover: ABS
 Panels: Aluminum (AL)
 Screws: Steel, Black Finish (SB)

Standard Colors

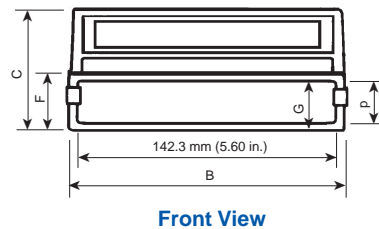
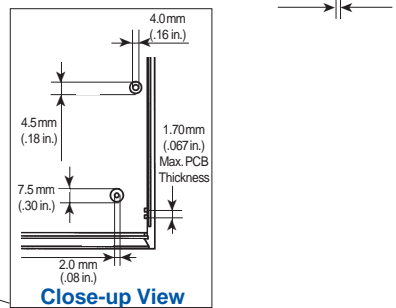
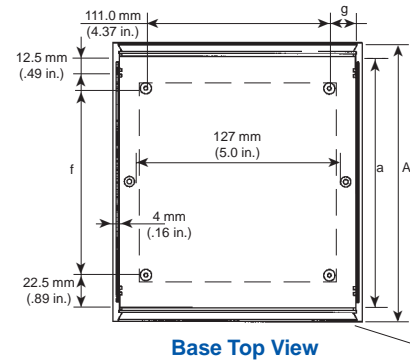
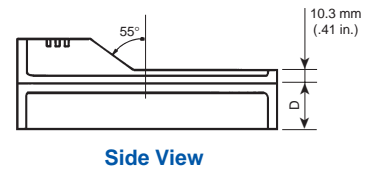
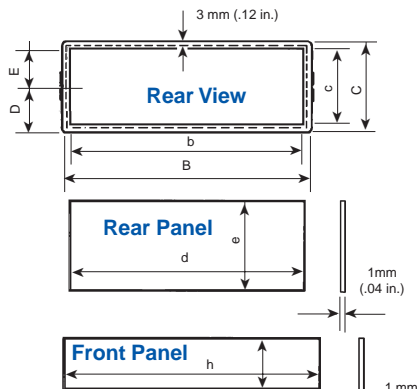
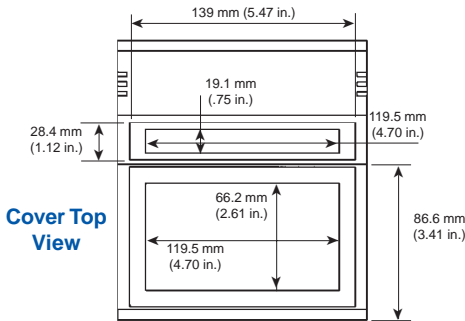
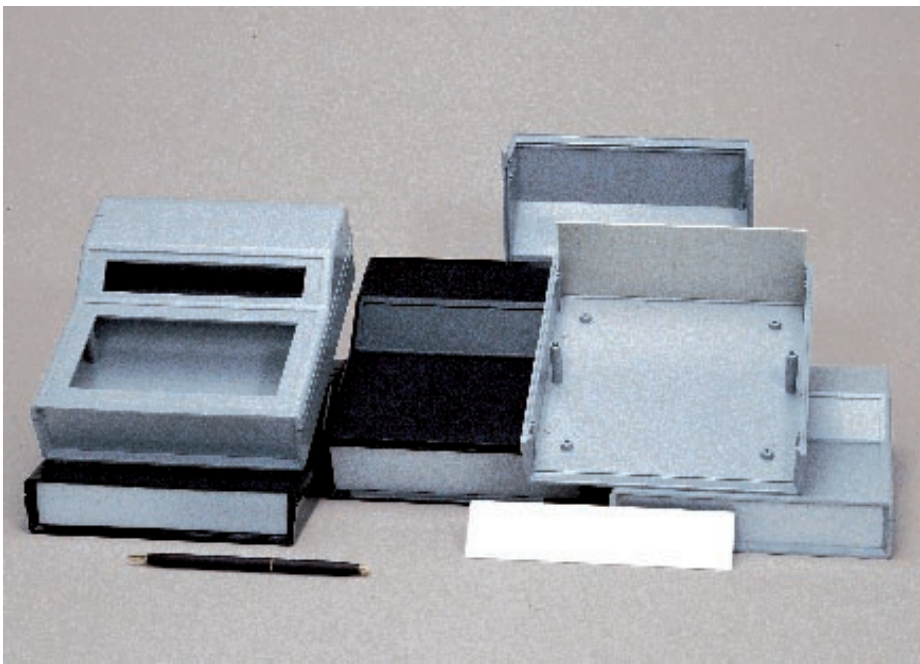
Medium gray, black; matte finish

Ordering Information

External Dimensions mm (in.) and Special Notes

Type	Cat. No.		Std. Pk.	A	B	C	D	E	F	G
	Med. Gray	Black								
R1-242	94.110	94.112	1	173.0 (6.81)	154.0 (6.06)	54.0 (2.13)	23.5 (0.93)	30.5 (1.20)	33.5 (1.32)	24.0 (0.94)
R1-242/0	94.111	94.113	1	173.0 (6.81)	154.0 (6.06)	54.0 (2.13)	23.5 (0.93)	30.5 (1.20)	33.5 (1.32)	24.0 (0.94)
R1-243	94.114	94.116	1	173.0 (6.81)	154.0 (6.06)	61.0 (2.40)	30.5 (1.20)	30.5 (1.20)	40.5 (1.59)	31.1 (1.22)
R1-243/0	94.115	94.117	1	173.0 (6.81)	154.0 (6.06)	61.0 (2.40)	30.5 (1.20)	30.5 (1.20)	40.5 (1.59)	31.1 (1.22)

Color Selection: Medium Gray **M|G** or Black **B|K**



Type	Number of PCB Guides and Mounting Studs	
	Guides	Studs
	A	Base Cover
R1-242	2	4 —
R1-242/0	2	4 —
R1-243	2	4 —
R1-243/0	2	4 —

Guides column refers to external side A.

Internal Dimensions mm (in.)

Type	a	b	c	d	e	f	g	h	i
R1-242	160.0 (6.30)	146.0 (5.75)	48.0 (1.89)	145.0 (5.71)	48.0 (1.89)	115.0 (4.53)	17.5 (0.69)	145.0 (5.71)	48.5 (1.91)
R1-242/0	160.0 (6.30)	146.0 (5.75)	48.0 (1.89)	145.0 (5.71)	48.0 (1.89)	115.0 (4.53)	17.5 (0.69)	145.0 (5.71)	48.5 (1.91)
R1-243	160.0 (6.30)	146.0 (5.75)	55.0 (2.17)	145.0 (5.71)	55.0 (2.17)	115.0 (4.53)	17.5 (0.69)	145.0 (5.71)	55.0 (2.17)
R1-243/0	160.0 (6.30)	146.0 (5.75)	55.0 (2.17)	145.0 (5.71)	55.0 (2.17)	115.0 (4.53)	17.5 (0.69)	145.0 (5.71)	55.0 (2.17)

Please see page 84 for information on screws.

Please see page 82 for information on accessories.

Please see page 5 for information on packaging.

Readout - R2

It has a 45° inclined display area. The cover is either solid with recessed areas or it has a cutout for a keyboard or display. It has front and rear panels and feet. The base and cover have integral PCB guides. The base also has integral PCB mounting studs.

Each Kit Includes

Base	Cover	Panel	Screws	Other
1	1	2	4-SC20	4 feet

Assembly

- Slide the 2 panels into the mounting channels and place a center band on each side of the base.
- Place the screw guides on the mounting posts, fluted side down.
- Slide the cover over the panels, onto the center bands.
- Insert and tighten 4 panhead screws through the feet to secure the cover.

Materials

Base, cover and panels: ABS
Screws: Steel, Galvanized (SG)

Standard Colors

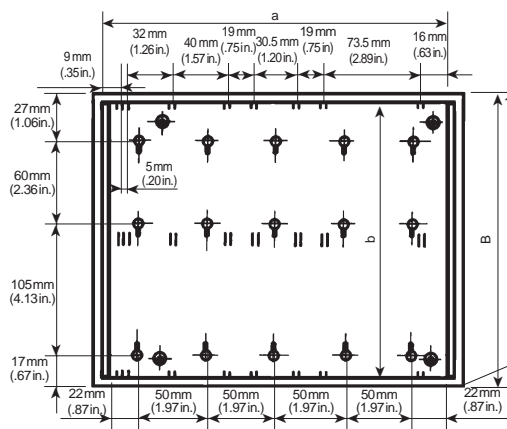
Light gray, black; matte finish

Ordering Information

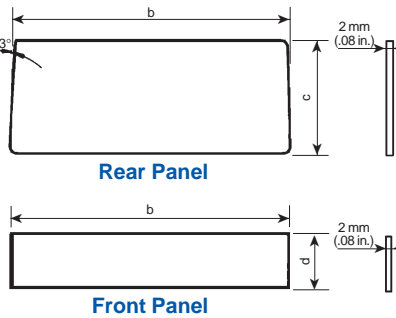
External Dimensions mm (in.) and Special Notes

Type	Cat. No.		Std. Pk.	A	B	C	D	Notes
	Lt. Gray	Black						
R2-763	94.118	94.120	1	270.0 (10.63)	220.0 (8.66)	96.0 (3.78)	46.0 (1.81)	Solid Cover
R2-763/0	94.119	94.121	1	270.0 (10.63)	220.0 (8.66)	96.0 (3.78)	46.0 (1.81)	2 Recessed Display Cutouts
R2-764	94.122	94.124	1	270.0 (10.63)	220.0 (8.66)	109.0 (4.29)	60.0 (2.36)	Solid Cover
R2-764/0	94.123	—	1	270.0 (10.63)	220.0 (8.66)	109.0 (4.29)	60.0 (2.36)	2 Recessed Display Cutouts

Color Selection: Light Gray [L G] or Black [B K]

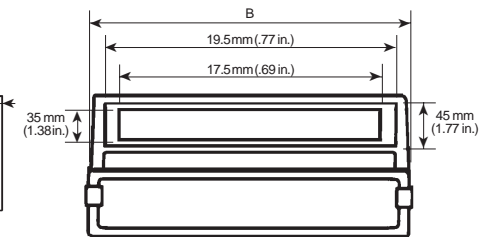


Base Top View

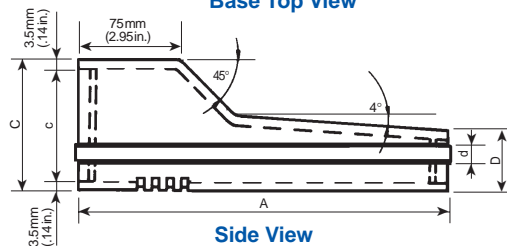


Rear Panel

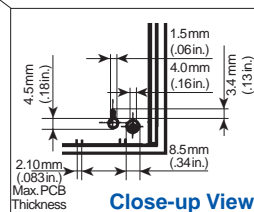
Front Panel



Front View



Side View



Close-up View

Internal Dimensions mm (in.)

Type	a	b	c	d
R2-763	244.0 (9.61)	209.0 (8.23)	89.0 (3.50)	39.0 (1.54)
R2-763/0	244.0 (9.61)	209.0 (8.23)	89.0 (3.50)	39.0 (1.54)
R2-764	244.0 (9.61)	209.0 (8.23)	102.0 (4.02)	53.0 (2.09)
R2-764/0	244.0 (9.61)	209.0 (8.23)	102.0 (4.02)	53.0 (2.09)

Number of PCB Guides and Mounting Studs

Type	Guides		Studs	
	Base	Cover	Base	Cover
R2-763	16	3	15	—
R2-763/0	16	3	15	—
R2-764	16	3	15	—
R2-764/0	16	3	15	—

Guides column refers to external side A.

Please see page 84 for information on screws.

Please see page 82 for information on accessories.

Please see page 5 for information on packaging.

Readout - R3

It has a 30° inclined display area and 2 aluminum panels. R3-680B has a built-in 9V battery compartment with a snap-on lid. The base and cover have integral Printed Circuit Board (PCB) mounting studs.

Each Kit Includes

Base	Cover	Panel	Screws
1	1	2	4-SC2

Assembly

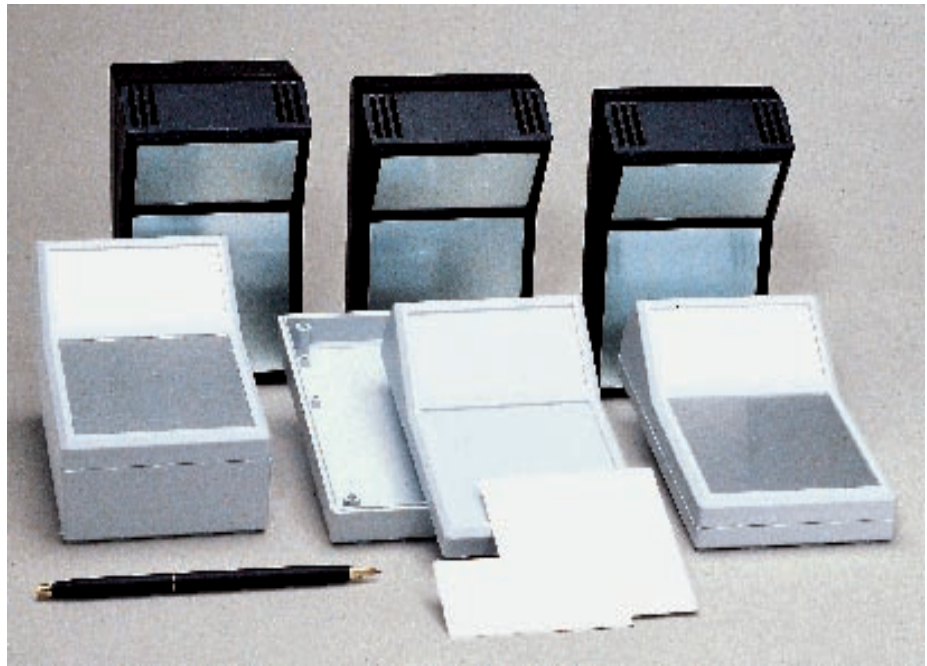
1. Fit the cover to the base using the tongue and groove arrangement as a guide.
2. Insert and tighten the 4 self-tapping Phillips screws to secure the cover.
3. Place the panel into the cover's recessed area.

Materials

Base and cover: ABS
 Panels: Anodized Aluminum (AA)
 Screws: Steel, Black Finish (SB)

Standard Colors

Light gray, black; matte finish



Ordering Information

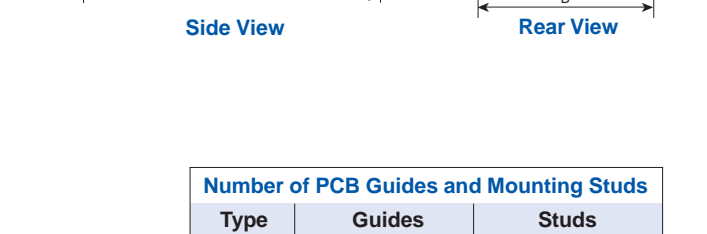
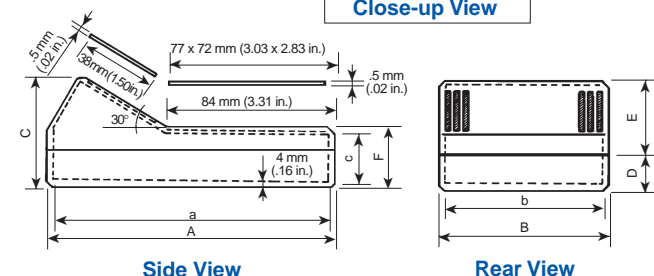
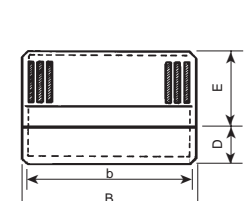
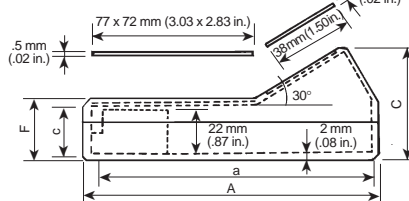
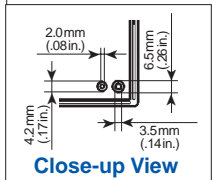
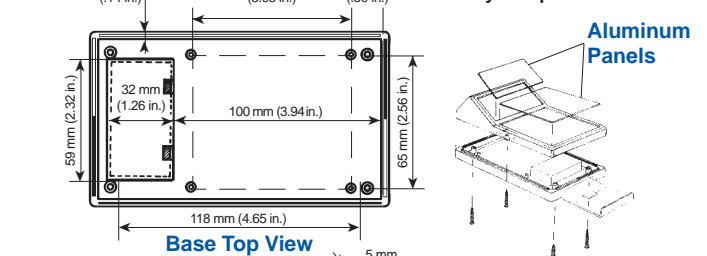
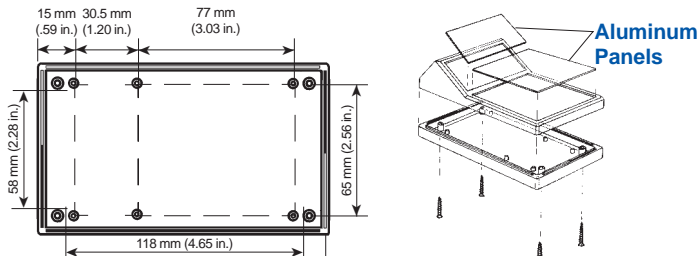
External Dimensions mm (in.) and Special Notes

Type	Cat. No.		Std. Pk.	A	B	C	D	E	F
	Lt. Gray	Black							
R3-590	94.126	94.130	1	144.5 (5.69)	85.0 (3.35)	49.0 (1.93)	12.5 (0.49)	36.5 (1.44)	25.0 (0.98)
R3-690	94.127	94.131	1	144.5 (5.69)	85.0 (3.35)	55.0 (2.17)	18.5 (0.73)	36.5 (1.44)	31.0 (1.22)
R3-790	94.128	94.132	1	144.5 (5.69)	85.0 (3.35)	73.0 (2.87)	36.5 (1.44)	36.5 (1.44)	49.0 (1.93)
R3-680B	94.129	94.133	1	144.5 (5.69)	85.0 (3.35)	55.0 (2.17)	18.5 (0.73)	36.5 (1.44)	31.0 (1.22)

Color Selection: Light Gray or Black

w/o battery compartment

w/ battery compartment



Type	a	b	c
R3-590	137.5 (5.41)	78.0 (3.07)	17.5 (0.69)
R3-690	137.5 (5.41)	78.0 (3.07)	23.5 (0.93)
R3-790	137.5 (5.41)	78.0 (3.07)	41.5 (1.63)
R3-680B	137.5 (5.41)	78.0 (3.07)	25.5 (1.00)

Type	Guides		Studs	
	A	B	Base	Cover
R3-590	—	—	6	2
R3-690	—	—	6	2
R3-790	—	—	6	2
R3-680B	—	—	4	2

Guides column refers to external sides A and B.

Please see page 84 for information on screws. Please see page 82 for information on accessories. Please see page 5 for information on packaging.

Readout - R4

It has a 30° inclined display area and 2 punch-out cover panels that are held in place by tabs for easy removal. The R4-680DB has a built-in 9V battery compartment with a snap-on lid. The base and cover have integral Printed Circuit Board (PCB) mounting studs.

Each Kit Includes

Base	Cover	Panel	Screws
1	1	2	4-SC2

Assembly

1. If desired, punch out the panels in the cover.
2. Fit the cover to the base using the tongue and groove arrangement as a guide.
3. Insert and tighten the 4 flathead, self-tapping Phillips screws to secure the cover.

Materials

Base, cover and punch-out panels: ABS
Screws: Steel, Black Finish (SB)

Standard Colors

Light gray, black; matte finish

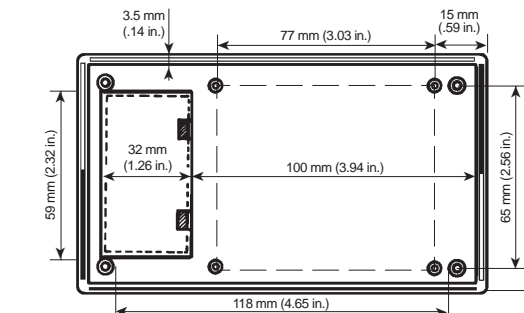


Ordering Information

External Dimensions mm (in.) and Special Notes

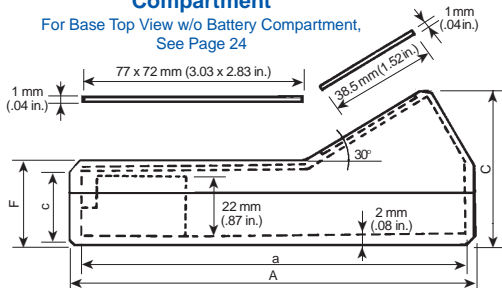
Type	Cat. No.		Std. Pk.	A	B	C	D	E	F
	Lt. Gray	Black							
R4-590D	94.134	94.138	1	144.5 (5.69)	85.0 (3.35)	49.0 (1.93)	12.5 (0.49)	36.5 (1.44)	25.0 (0.98)
R4-690D	94.135	94.139	1	144.5 (5.69)	85.0 (3.35)	55.0 (2.17)	18.5 (0.73)	36.5 (1.44)	31.0 (1.22)
R4-790D	94.136	94.140	1	144.5 (5.69)	85.0 (3.35)	73.0 (2.87)	36.5 (1.44)	36.5 (1.44)	49.0 (1.93)
R4-680DB	94.142	94.143	1	144.5 (5.69)	85.0 (3.35)	55.0 (2.17)	18.5 (0.73)	36.5 (1.44)	31.0 (1.22)

Color Selection: Lt. Gray [L] [G] or Black [B] [K]

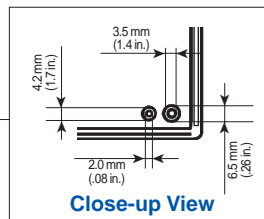


Base Top View w/Battery Compartment

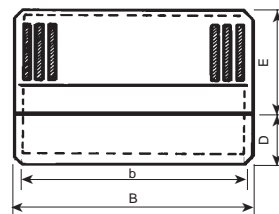
For Base Top View w/o Battery Compartment, See Page 24



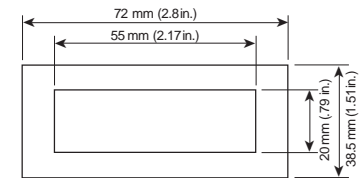
Side View



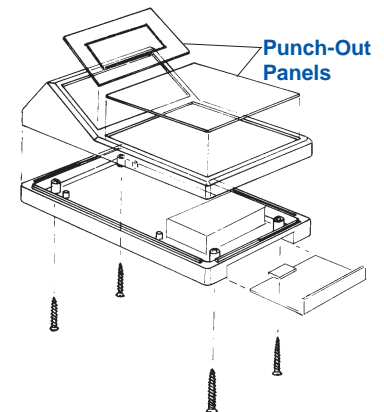
Close-up View



Rear View



Incline Punch-Out Panel



Punch-Out Panels

Internal Dimensions mm (in.)

Type	a	b	c
R4-590D	137.5 (5.41)	78.0 (3.07)	17.5 (0.69)
R4-690D	137.5 (5.41)	78.0 (3.07)	23.5 (0.93)
R4-790D	137.5 (5.41)	78.0 (3.07)	41.5 (1.63)
R4-680DB	137.5 (5.41)	78.0 (3.07)	23.5 (0.93)

Number of PCB Guides and Mounting Studs

Type	Guides		Studs	
	A	B	Base	Cover
R4-590D	—	—	6	4
R4-690D	—	—	6	4
R4-790D	—	—	6	4
R4-680DB	—	—	4	4

Guides column refers to external dimensional A and B.

Please see page 84 for information on screws.

Please see page 82 for information on accessories.

Please see page 5 for information on packaging.