



Hand Held enclosures are rectangular and available in a wide range of styles and sizes.

Materials

Base, cover and push buttons

- ABS [Acrylonitrile Butadiene Styrene] (ABS)

Panels

- Anodized Aluminum (AA)
- Plexiglass (PL)

Please see each ordering page for specific information.

Printed Circuit Board (PCB) Guides and Mounting Studs

Most of the Hand Held series enclosures have integral PCB mounting studs in the bases and covers.

- The HH5 and HH6 series have both standard PCB guides and mounting studs.
- The PCB guides accept boards up to 1.0 mm (.04 in.) thick.

Please see each ordering page for the location, quantity and size of all Printed Circuit Board guides and mounting studs, as well as the maximum thickness of a PCB that can be placed in each enclosure.

Packaging

To protect your panels, they are shipped with pull-off plastic film on one side. Standard packs are listed on each ordering page.

In a standard pack of one, each enclosure is shrink wrapped individually.

In a standard pack of five, enclosures are shrink wrapped in one package.

HAND HELD

Hand Held - HH1

It has a recessed, silk screenable panel and rounded corners. The base and cover have integral Printed Circuit Board (PCB) mounting studs.

Each Kit Includes

Base	Cover	Panel	Screws
1	1	1	4-SC1

Assembly

1. Fit the cover to the base using the tongue and groove arrangement as a guide.
2. Insert and tighten the 4 flathead, self-tapping screws to secure the cover.
3. Place the panel in the cover's recess.

Materials

Base and cover: ABS
 Panel: Anodized Aluminum (AA)
 Screws: Steel, Black Finish (SB)

Standard Color

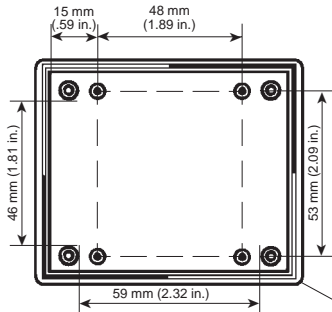
Black; matte finish



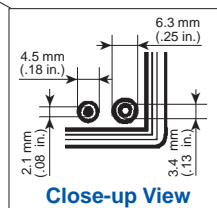
Ordering Information

External Dimensions mm (in.) and Special Notes

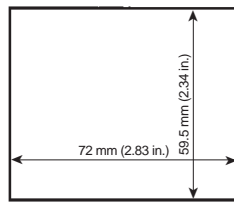
Type	Cat. No.	Std. Pk.	A	B	C	D	E
HH1-1111BK	94.390	5	85.0 (3.35)	72.0 (2.83)	25.0 (0.98)	12.5 (0.49)	12.5 (0.49)
HH1-1122BK	94.391	5	85.0 (3.35)	72.0 (2.83)	30.5 (1.20)	12.5 (0.49)	18.0 (0.71)
HH1-2222BK	94.392	5	85.0 (3.35)	72.0 (2.83)	36.0 (1.42)	18.0 (0.71)	18.0 (0.71)



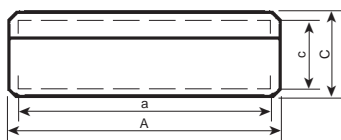
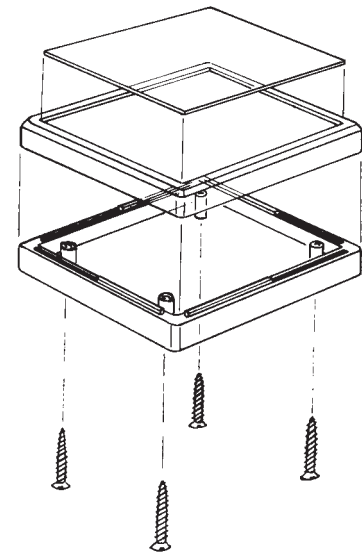
Base Top View



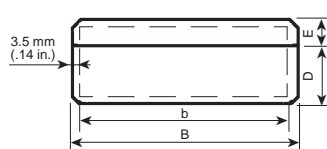
Close-up View



Panel



Side View



Front View

Internal Dimensions mm (in.)			
Type	a	b	c
HH1-1111	78.0 (3.07)	65.0 (2.56)	18.0 (0.71)
HH1-1122	78.0 (3.07)	65.0 (2.56)	23.5 (0.93)
HH1-2222	78.0 (3.07)	65.0 (2.56)	29.0 (1.14)

Number of PCB Guides and Mounting Studs

Type	Guides		Studs	
	A	B	Base	Cover
HH1-1111	—	—	4	4
HH1-1122	—	—	4	4
HH1-2222	—	—	4	4

Guides column refers to external sides A and B.

Hand Held - HH2

It has a slight taper and features a recessed, silk screenable panel. The base and cover have integral Printed Circuit Board (PCB) mounting studs.

Each kit Includes

Base	Cover	Panel	Screws
1	1	1	4

Assembly

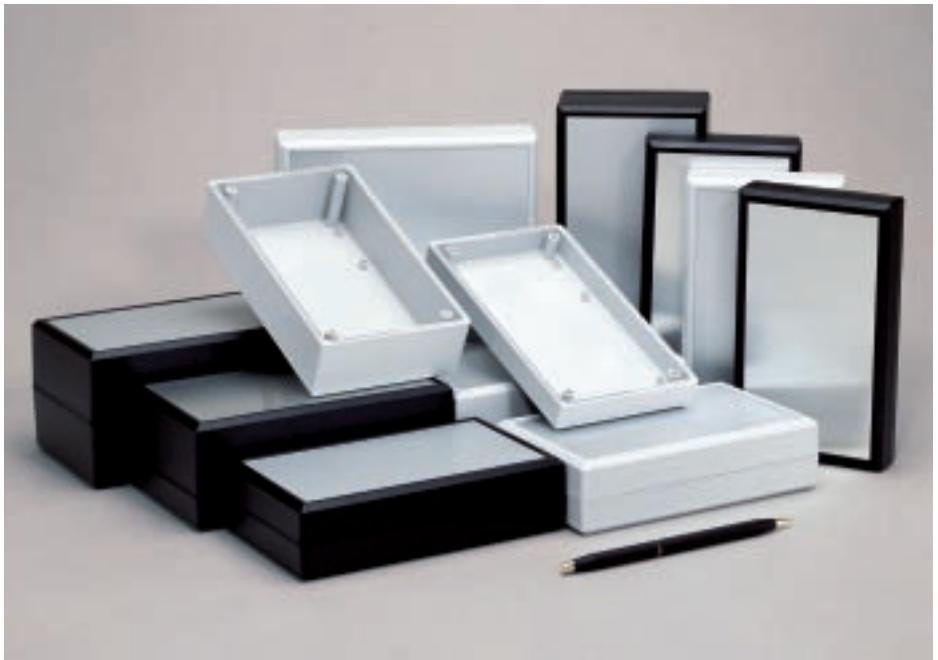
1. Fit the cover to the base using the tongue and groove arrangement as a guide.
2. Insert and tighten the 4 flathead, self-tapping Phillips screws to secure the cover.
3. Place the panel in the cover's recess.

Materials

Base and cover: ABS
 Panel: Anodized Aluminum (AA)
 Screws: Steel, Black Finish (SB)

Standard Color

Black; matte finish

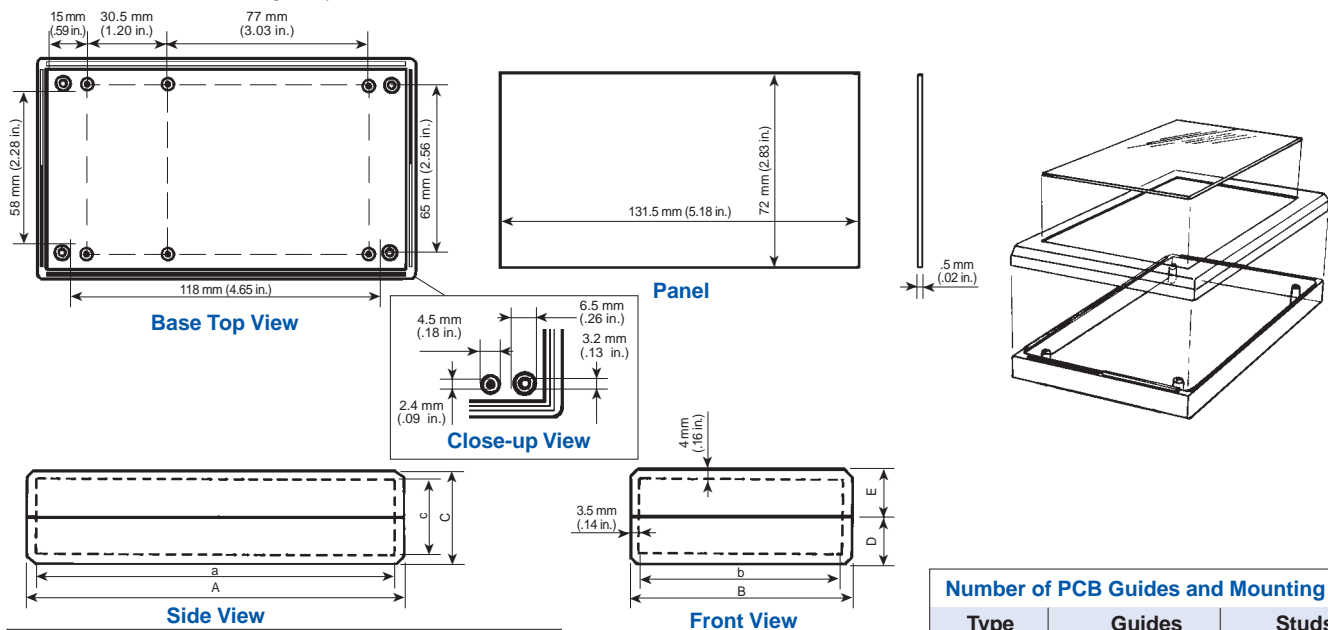


Ordering Information

External Dimensions mm (in.) and Special Notes

Type	Cat. No.		Std. Pk.	External Dimensions mm (in.)						Notes
	Lt. Gray	Black		A	B	C	D	E		
HH2-550	94.395	94.401	1	144.5 (5.69)	85.0 (3.35)	25.0 (.98)	12.5 (.49)	12.5 (.49)	Uses SC1 Screws	
HH2-560	94.396	94.402	1	144.5 (5.69)	85.0 (3.35)	31.0 (1.22)	12.5 (.49)	18.5 (.73)	Uses SC1 Screws	
HH2-660	94.397	94.403	1	144.5 (5.69)	85.0 (3.35)	37.0 (1.46)	18.5 (.73)	18.5 (.73)	Uses SC2 Screws	
HH2-750	94.398	94.404	1	144.5 (5.69)	85.0 (3.35)	49.0 (1.93)	12.5 (.49)	36.5 (1.44)	Uses SC2 Screws	
HH2-760	94.399	94.405	1	144.5 (5.69)	85.0 (3.35)	55.0 (2.17)	18.5 (.73)	36.5 (1.44)	Uses SC5 Screws	
HH2-770	94.400	94.406	1	144.5 (5.69)	85.0 (3.35)	73.0 (2.87)	36.5 (1.44)	36.5 (1.44)	Uses SC5 Screws	

Color Selection: Light Gray [L G] or Black [B K]



Internal Dimensions mm (in.)			
Type	a	b	c
HH2-550	137.5 (5.41)	78.0 (3.07)	17.0 (0.67)
HH2-560	137.5 (5.41)	78.0 (3.07)	23.0 (0.91)
HH2-660	137.5 (5.41)	78.0 (3.07)	29.0 (1.14)
HH2-750	137.5 (5.41)	78.0 (3.07)	41.0 (1.61)
HH2-760	137.5 (5.41)	78.0 (3.07)	47.0 (1.85)
HH2-770	137.5 (5.41)	78.0 (3.07)	65.0 (2.56)

Type	Guides		Studs	
	A	B	Base	Cover
HH2-550	—	—	6	6
HH2-560	—	—	6	6
HH2-660	—	—	6	6
HH2-750	—	—	6	6
HH2-760	—	—	6	6
HH2-770	—	—	6	6

Guides column refers to external sides A and B.

Please see page 84 for information on screws.

Please see page 82 for information on accessories.

Please see page 5 for information on packaging.

Hand Held - HH3

It has a built in 9V battery compartment with a snap-on lid, a recessed, silk screenable panel and rounded corners. The base and cover have integral Printed Circuit Board (PCB) mounting studs.

Each Kit Includes

Base	Cover	Panel	Screws
1	1	1	4-SC2

Assembly

1. Fit the cover to the base using the tongue and groove arrangement as a guide.
2. Insert and tighten the 4 flathead, self-tapping Phillips screws to secure the cover.
3. Place the panel in the cover's recess.

Materials

Base and cover: ABS
 Panel: Anodized Aluminum (AA)
 Screws: Steel, Black Finish (SB)

Standard Colors

Light gray, black; matte finish

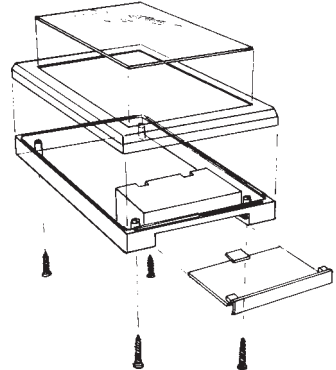
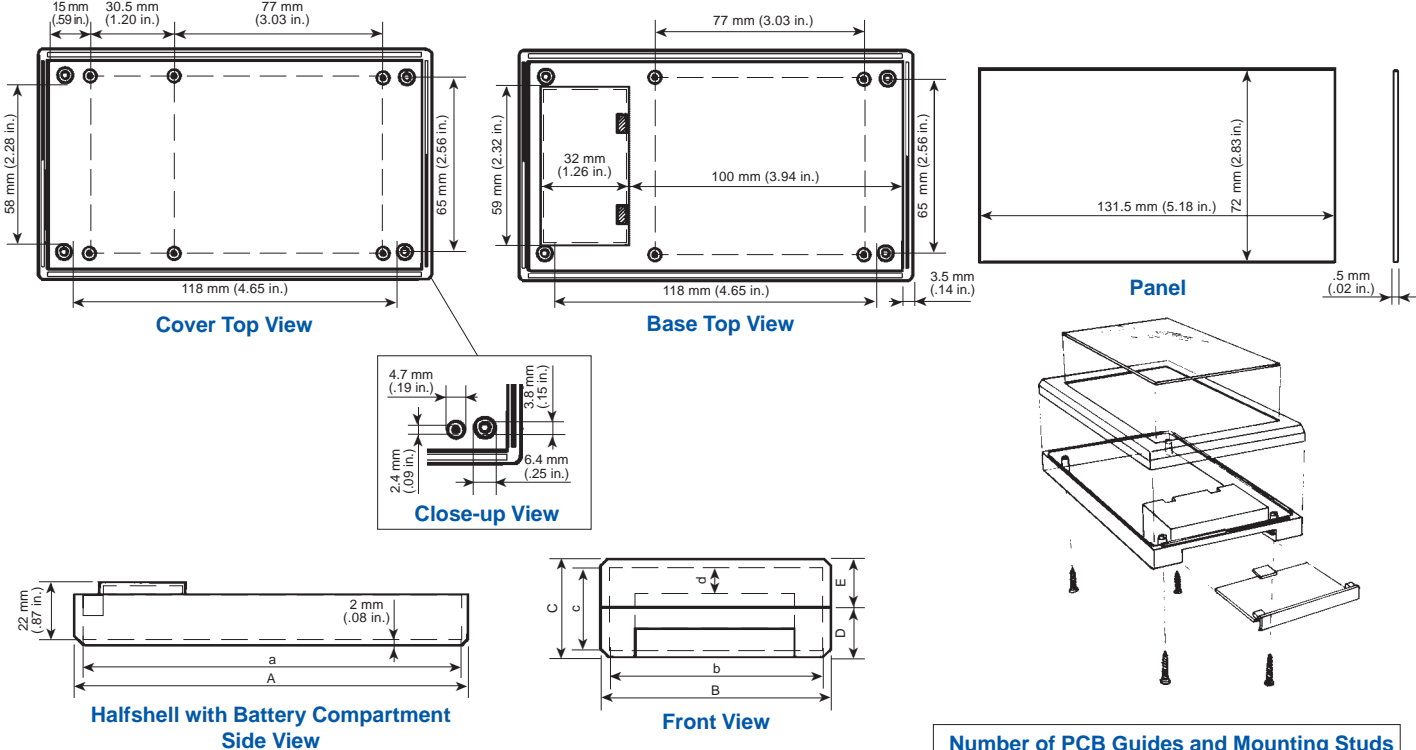


Ordering Information

External Dimensions mm (in.) and Special Notes

Type	Cat. No.		Std. Pk.	A	B	C	D	E
	Lt. Gray	Black						
HH3-780BC	94.407	94.410	1	144.5 (5.69)	85.0 (3.35)	31.0 (1.22)	18.5 (0.73)	12.5 (0.49)
HH3-880BC	94.408	94.411	1	144.5 (5.69)	85.0 (3.35)	37.0 (1.46)	18.5 (0.73)	18.5 (0.73)
HH3-980BC	94.409	94.412	1	144.5 (5.69)	85.0 (3.35)	55.0 (2.17)	18.5 (0.73)	36.5 (1.44)

Color Selection: Light Gray [L G] or Black [B K]



Type	Internal Dimensions mm (in.)			
	a	b	c	d
HH3-780BC	137.5 (5.41)	78.0 (3.07)	25.0 (0.98)	3.0 (0.12)
HH3-880BC	137.5 (5.41)	78.0 (3.07)	31.0 (1.22)	9.0 (0.35)
HH3-980BC	137.5 (5.41)	78.0 (3.07)	49.0 (1.93)	27.0 (1.06)

Number of PCB Guides and Mounting Studs

Type	Guides		Studs	
	A	B	Base	Cover
HH3-780BC	—	—	4	6
HH3-880BC	—	—	4	6
HH3-980BC	—	—	4	6

Guides column refers to external sides A and B.

Please see page 5 for information on packaging.

Please see page 84 for information on screws.

Please see page 82 for information on accessories.

Hand Held - HH4

It has a cover with a slight taper and fits to the base flush. The base and cover have integral Printed Circuit Board (PCB) mounting studs; self adhesive rubber feet prevent slippage.

Each Kit Includes

Base	Cover	Panel	Screws	Other
1	1	1	4	4 feet

Assembly

1. Fit the cover to the base using the tongue and groove arrangement as a guide.
2. Insert and tighten the 4 flathead, self-tapping Phillips screws to secure the cover.
3. If desired, adhere the rubber feet to the base.

Materials

Base and cover: ABS
 Feet: ABS
 Screws: Steel, Black Finish (SB)

Standard Colors

Light gray, black; matte finish

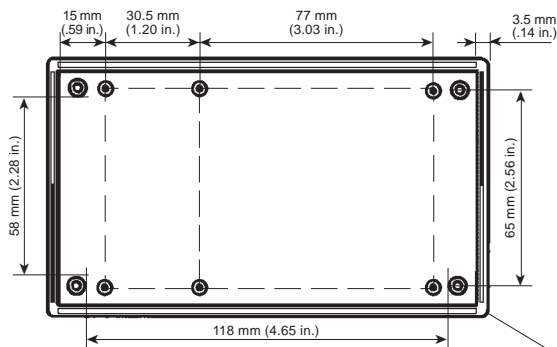


Ordering Information

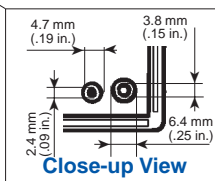
External Dimensions mm (in.) and Special Notes

Type	Cat. No.		Std. Pk.	A	B	C	D	E	Notes
	Lt. Gray	Black							
HH4-550F	94.413	94.416	1	144.5 (5.69)	85.0 (3.35)	21.0 (0.83)	12.5 (0.49)	8.5 (0.33)	Uses SC1 Screws
HH4-660F	94.414	94.417	1	144.5 (5.69)	85.0 (3.35)	27.0 (1.06)	18.5 (0.73)	8.5 (0.33)	Uses SC5 Screws
HH4-770F	94.415	94.418	1	144.5 (5.69)	85.0 (3.35)	45.0 (1.77)	36.5 (1.44)	8.5 (0.33)	Uses SC7 Screws

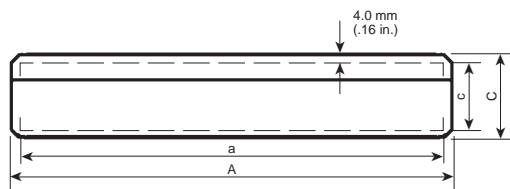
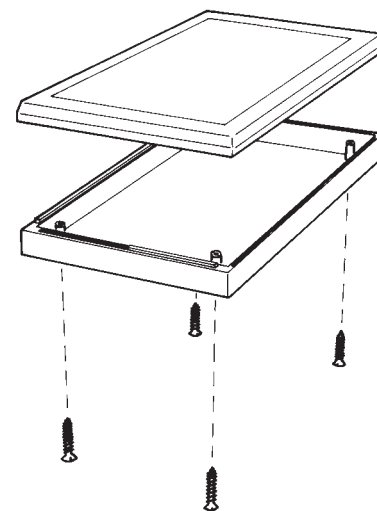
Color Selection: Light Gray [L|G] or Black [B|K]



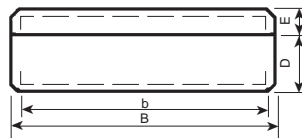
Base Top View



Close-up View



Side View



Front View

Internal Dimensions mm (in.)			
Type	a	b	c
H4-550F	137.5 (5.41)	78.0 (3.07)	13.0 (.51)
H4-660F	137.5 (5.41)	78.0 (3.07)	19.0 (.75)
H4-770F	137.5 (5.41)	78.0 (3.07)	37.0 (1.46)

Please see page 84 for information on screws.

Please see page 82 for information on accessories.

Number of PCB Guides and Mounting Studs				
Type	Guides		Studs	
	A	B	Base	Cover
H4-550F	—	—	6	4
H4-660F	—	—	6	4
H4-770F	—	—	6	4

Guides column refers to external sides A and B.

Please see page 5 for information on packaging.

Hand Held - HH5

It has a battery compartment for either a 9V battery or two 1.5V AA batteries. The HH5-SQ2 has a solid front panel and HH5-SQ2IR has a red transparent panel. The base and cover have integral Printed Circuit Board (PCB) guides and mounting studs.

Each Kit Includes

Base	Cover	Panel	Screws	Other
1	1	1	3-SC1	1.5V Contacts

Assembly

1. Slide the front panel into the mounting channels in the base.
2. Slide the cover over the panel and onto the base.
3. Insert and tighten the 3 flathead, self-tapping Phillips screws to secure the cover.

Materials

Base and cover: ABS
 SQ2 front panel: ABS
 SQ2IR front panel: Plexiglass (PL)
 Screws: Steel, Black Finish (SB)

Standard Colors

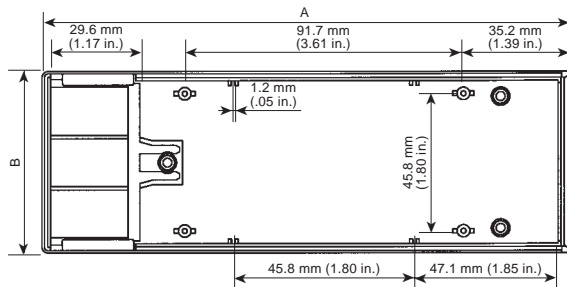
Light gray and black; matte finish

Ordering Information

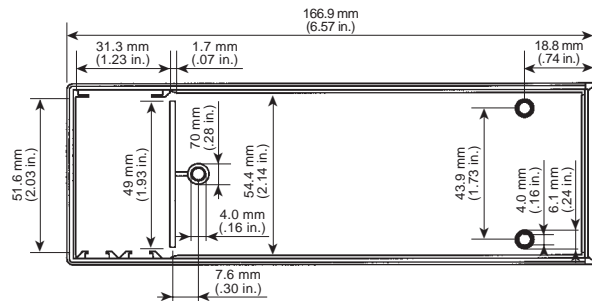
External Dimensions mm (in.) and Special Notes

Type	Cat. No.		Std. Pk.	A	B
	Lt. Gray	Black			
HH5-SQ/2	94.424	94.425	1	175.0 (6.89)	61.0 (2.40)
HH5-SQIR/2	94.426	94.427	1	175.0 (6.89)	61.0 (2.40)

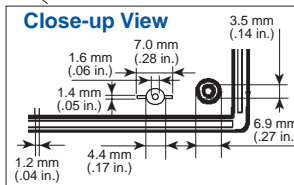
Color Selection: Light Gray [L]G or Black [B]K



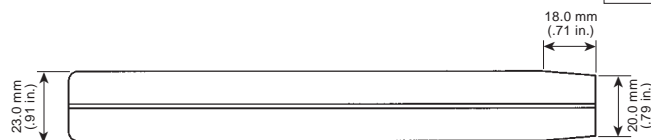
Base Top View



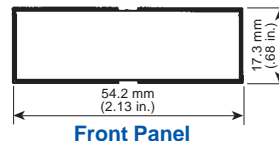
Cover Top View



Close-up View



Side View



Front Panel

Number of PCB Guides and Mounting Studs

Type	Guides		Studs	
	A	B	Base	Cover
HH5-SQ/2	2	—	4	—
HH5-SQ/2IR	2	—	4	—

Guides column refers to external sides A and B.

Hand Held - HH6

It has a battery compartment and optional covers (described below). The base and cover have integral PCB guides and mounting studs.

Each Kit Includes

Base	Cover	Panel	Screws	Other
1	1	1	3-SC1	1.5V Contacts

Recommended Accessories

9V Battery contacts

Assembly

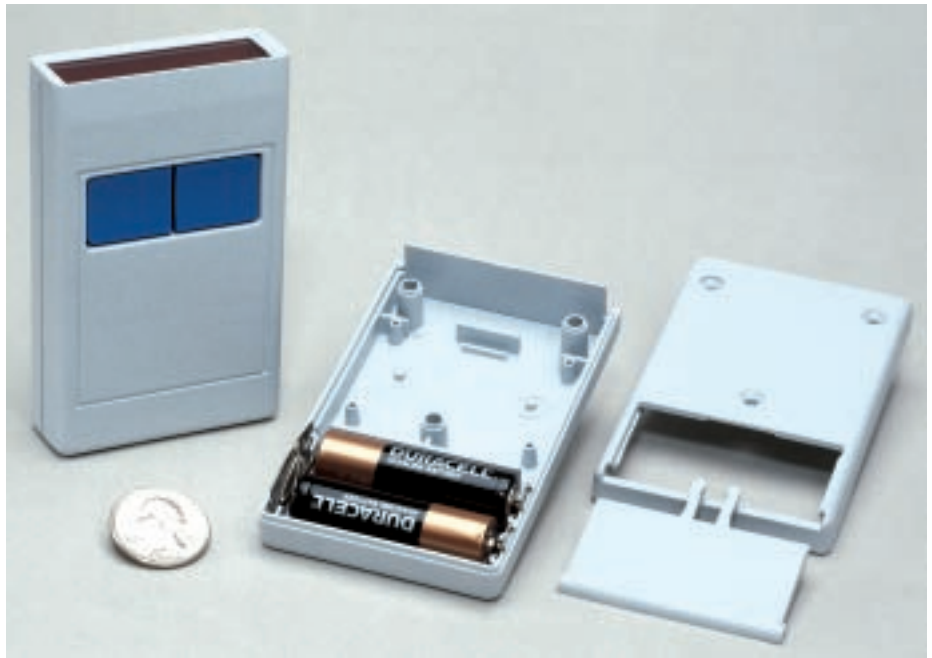
1. Place the push buttons into the cover cutout and slide the front panel into the mounting channel in the cover.
2. Align the base to the panel.
3. Insert and tighten the 3 flathead, self-tapping Phillips screws to secure the cover.

Materials

Base, cover and SQ2 panel: ABS
 SQ2IR panel: Plexiglass (PL)
 Screws: Steel, Black Finish (SB)

Standard Colors

Enclosure: Light gray, black; matte finish
 Push buttons: Blue

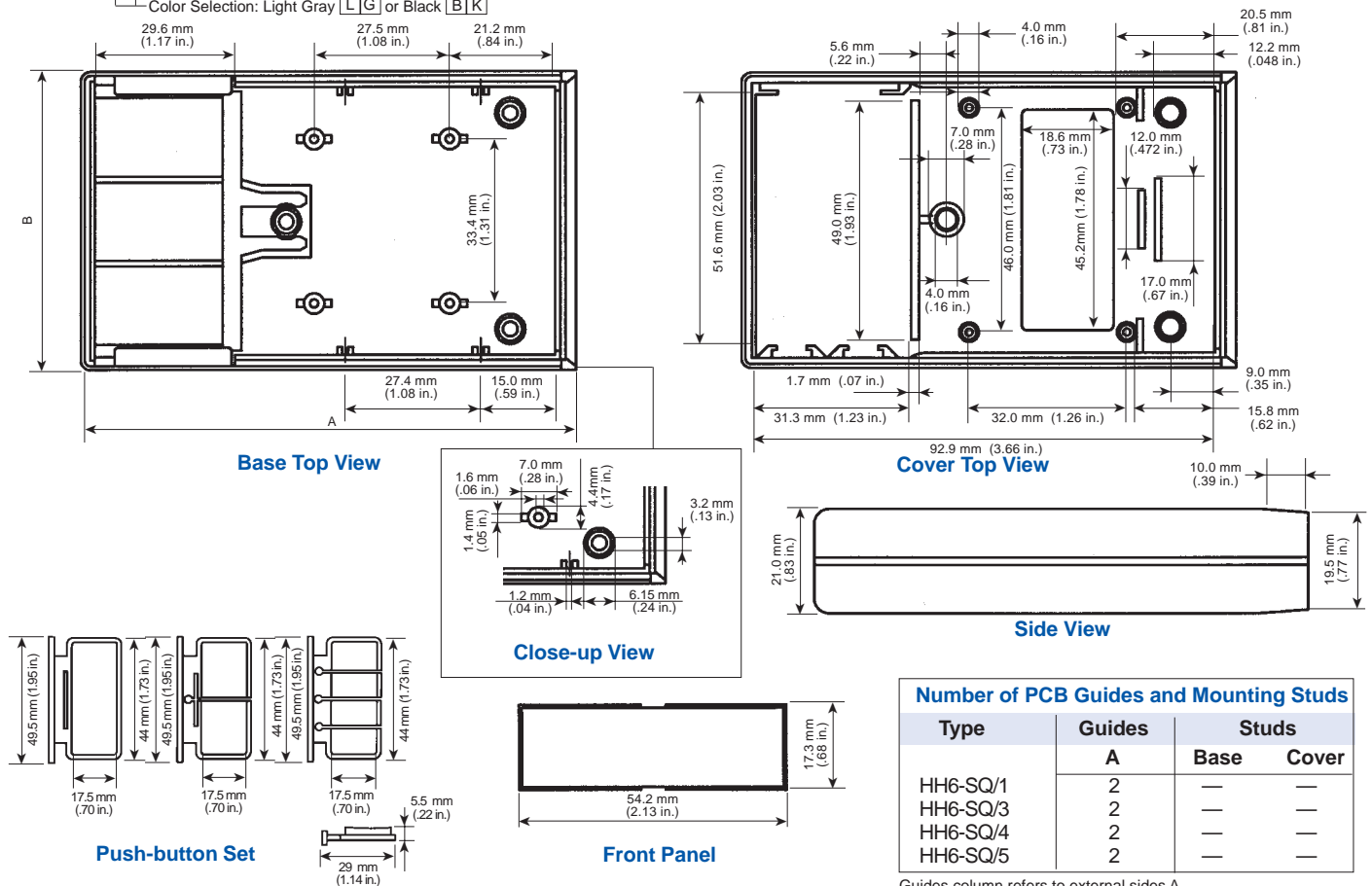


Ordering Information

External Dimensions mm (in.) and Special Notes

Type	Cat. No.		Std. Pk.	A	B	Notes
	Lt. Gray	Black				
HH6-SQ/1	94.434	94.430	1	100.0 (3.94)	61.0 (2.40)	Solid Cover, Opaque Front Panel
HH6-SQ/3	94.435	94.431	1	100.0 (3.94)	61.0 (2.40)	Solid Cover, Transparent Front Panel
HH6-SQ-4	94.436	94.432	1	100.0 (3.94)	61.0 (2.40)	Push-button Set, Opaque Front Panel
HH6-SQ/5	94.437	94.433	1	100.0 (3.94)	61.0 (2.40)	Push-button Set, Transparent Front Panel

Color Selection: Light Gray **L** or Black **B**



Number of PCB Guides and Mounting Studs

Type	Guides	Studs	
		A	Base Cover
HH6-SQ/1	2	—	—
HH6-SQ/3	2	—	—
HH6-SQ/4	2	—	—
HH6-SQ/5	2	—	—

Guides column refers to external sides A.

Please see page 84 for information on screws.

Please see page 82 for information on accessories.

Please see page 5 for information on packaging.