



Front Panel enclosures are available in 13 styles and a wide range of sizes. They are available with aluminum top panels.

Materials

Halfshells

- ABS [Acrylonitrile Butadiene Styrene] (ABS)
- Polystyrene (PS)

Panels

- ABS [Acrylonitrile Butadiene Styrene] (ABS)
- Aluminum (AL)
- Polystyrene (PS)

Please see each ordering page for specific information.

Printed Circuit Board (PCB) Guides and Mounting Studs

All Front Panel enclosures, except for the FP1, have integral PCB guides.

- Except for the FP10 and FP11, they have integral PCB mounting studs.
- The integral PCB guides on base walls accept boards up to 2.25 mm (.09 in.) thick.

Please see each ordering page for the location, quantity and size of all Printed Circuit Board guides and mounting studs, as well as the maximum thickness of a PCB that can be placed into each enclosure.

Packaging

To protect your aluminum panels, they are shipped with pull-off plastic film on one side.

All Front Panel enclosures are individually packed in shrink wrap or cardboard boxes and delivered in a standard pack of one.

FRONT PANEL

Front Panel - FP1

It has a recessed red, non-reflecting, transparent front panel, a 20° incline and four molded feet. The FP1-D/13 and FP1-D/14 have a cutout for cabling. The cover halfshell has tabs for positioning and stability. Each halfshell has integral Printed Circuit Board (PCB) mounting studs.

Each Kit Includes

Halfshells	Panel	Screws
2	1	4-SC14

Assembly

1. Slide the front panel into the mounting channels in the base halfshell.
2. Slide the cover halfshell over the panel and fit the tabs into place.
3. Insert and tighten the 4 flathead, self-tapping Phillips screws to secure the halfshells.

Materials

Halfshells and front panel: Polystyrene (PS)

Screws: Steel, Nickel Plated (SP)

Standard Colors

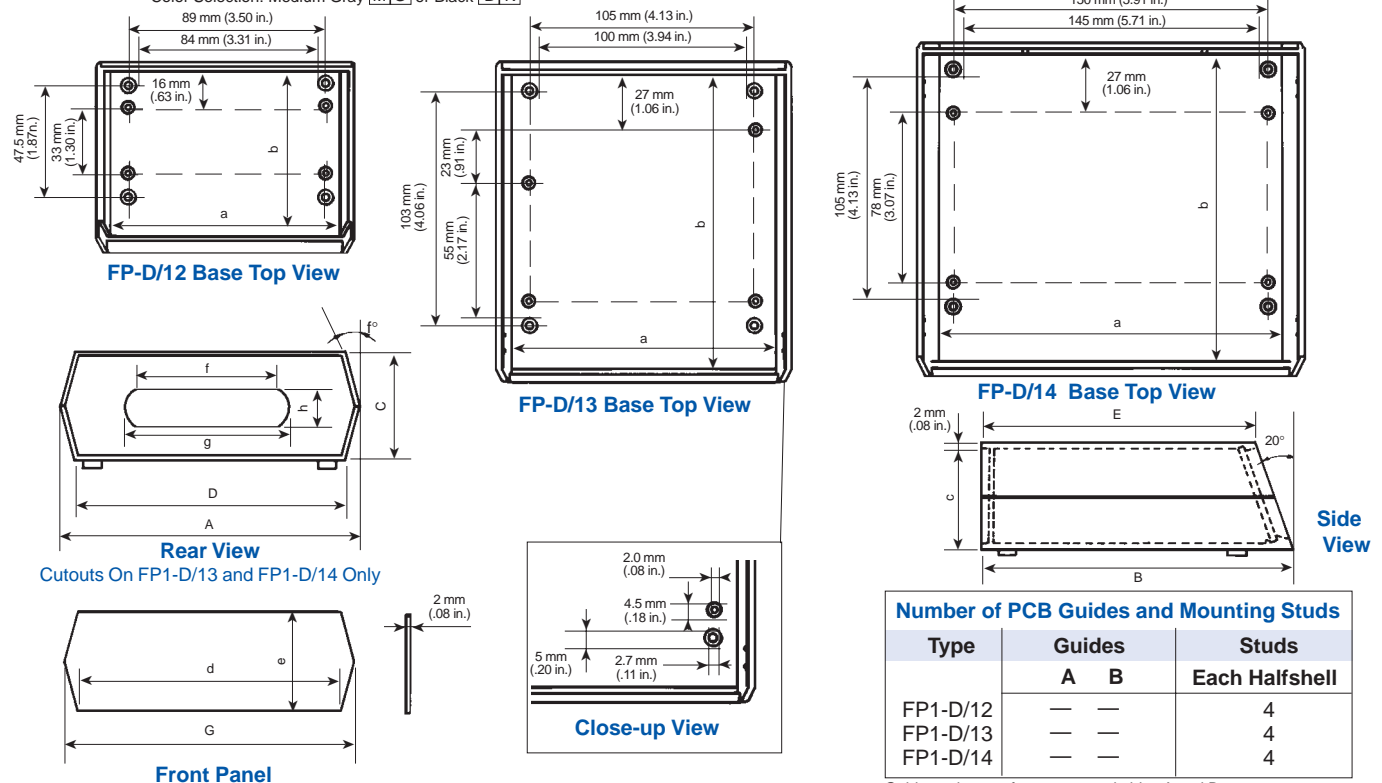
Medium gray, black; matte finish

Ordering Information

External Dimensions mm (in.) and Special Notes

Type	Cat. No.		Std. Pk.	A	B	C	D	E	F	G
	Med. Gray	Black								
FP1-D/12	94.150	94.153	1	119.5 (4.70)	89.0 (3.50)	50.0 (1.97)	111.0 (4.37)	73.0 (2.87)	10°	115.5 (4.55)
FP1-D/13	94.151	94.154	1	135.0 (5.31)	150.0 (5.91)	54.0 (2.13)	122.0 (2.50)	132.0 (2.50)	16°	131.5 (5.18)
FP1-D/14	94.152	94.155	1	181.0 (7.13)	155.0 (6.10)	60.0 (2.36)	165.0 (5.31)	135.0 (5.31)	17°	175.0 (6.89)

Color Selection: Medium Gray **[M G]** or Black **[B K]**



Guides column refers to external sides A and B.

Internal Dimensions mm (in.)

Type	a	b	c	d	e	f	g	h
FP1-D/12	106.0 (4.17)	77.0 (3.03)	42.0 (1.65)	108.0 (4.25)	44.0 (1.73)	—	—	—
FP1-D/13	119.0 (4.69)	135.0 (5.31)	46.0 (1.81)	119.0 (4.69)	49.0 (1.93)	56.0 (2.20)	60.0 (2.36)	13.0 (0.51)
FP1-D/14	161.0 (6.34)	141.0 (5.55)	52.0 (2.05)	160.0 (6.30)	55.0 (2.17)	80.0 (3.15)	85.0 (3.35)	16.0 (0.63)

Please see page 84 for information on screws.

Please see page 82 for information on accessories.

Please see page 5 for information on packaging.

Front Panel - FP2

It has a vented cover and base for aeration and recessed, silk screenable front and back panels. Each halfshell has integral Printed Circuit Board (PCB) guides and mounting studs.

Each Kit Includes

Halfshells	Panel	Screws
2	2	8-SC10

Assembly

1. Slide the panels in the mounting channels in base.
2. Slide the cover over the panels and onto the base using the tongue and groove arrangement as a guide.
3. Insert and tighten the 8 panhead, self-tapping Phillips screws to secure the halfshell.

Materials

Base and cover: Polystyrene (PS)
 Panels: Aluminum (AL)
 Screws: Steel, Nickel Plated (SP)

Standard Colors

Medium gray, black; matte finish

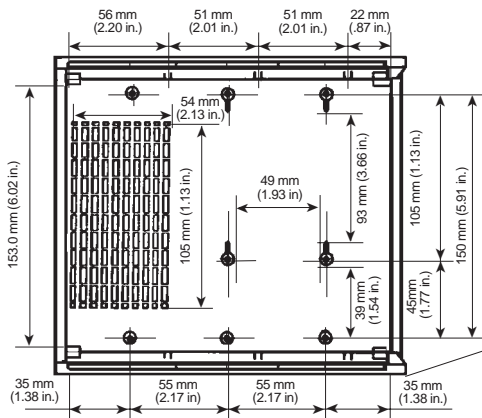


Ordering Information

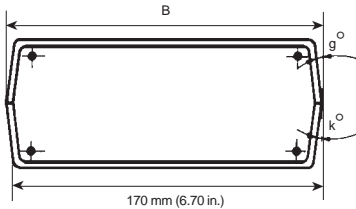
External Dimensions mm (in.) and Special Notes

Type	Cat. No. Med. Gray	Black	Std. Pk.	A	B	C	D	E
FP2-AUS11	94.156	94.161	1	198.0 (7.80)	178.0 (7.01)	36.0 (1.42)	18.0 (.71)	18.0 (.71)
FP2-AUS12	94.157	94.162	1	198.0 (7.80)	178.0 (7.01)	54.0 (2.13)	18.0 (.71)	36.0 (1.42)
FP2-AUS22	94.158	94.163	1	198.0 (7.80)	178.0 (7.01)	72.0 (2.83)	36.0 (1.42)	36.0 (1.42)
FP2-AUS23	94.159	94.164	1	198.0 (7.80)	178.0 (7.01)	90.0 (3.54)	36.0 (1.42)	54.0 (2.13)
FP2-AUS33	94.160	94.165	1	198.0 (7.80)	178.0 (7.01)	108.0 (4.25)	54.0 (2.13)	54.0 (2.13)

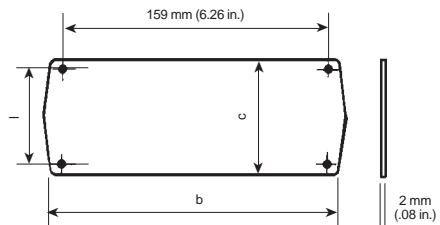
Color Selection: Medium Gray **[M|G]** or Black **[B|K]**



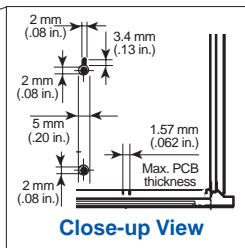
Base Top View



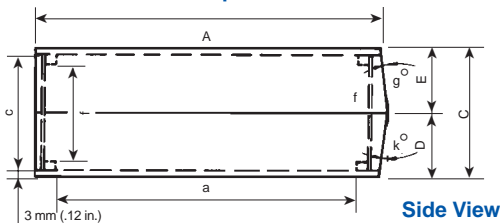
Front View



Front/Rear Panel View



Close-up View



Side View

Number of PCB Guides and Mounting Studs

Type	Guides	Studs
	A	Each Halfshell
FP2-AUS11	3	8
FP2-AUS12	3	8
FP2-AUS22	3	8
FP2-AUS23	3	8
FP2-AUS33	3	8

Guides column refers to external sides of halfshells.

Internal Dimensions mm (in.)

Type	a	b	c	f	g°	k°	l
FP2-AUS11	180.0 (7.09)	172.0 (6.77)	30.0 (1.18)	18.0 (0.71)	13.0	13.0	23.0 (0.91)
FP2-AUS12	180.0 (7.09)	172.0 (6.77)	48.0 (1.89)	36.0 (1.42)	7.0	13.0	41.0 (1.61)
FP2-AUS13	180.0 (7.09)	172.0 (6.77)	66.0 (2.60)	54.0 (2.13)	7.0	7.0	59.0 (2.32)
FP2-AUS23	180.0 (7.09)	172.0 (6.77)	84.0 (3.31)	72.0 (2.83)	5.0	7.0	77.0 (3.03)
FP2-AUS33	180.0 (7.09)	172.0 (6.77)	102.0 (4.02)	90.0 (3.54)	5.0	5.0	96.0 (3.78)

Please see page 84 for information on screws.

Please see page 82 for information on accessories.

Please see page 5 for information on packaging.

Front Panel - FP3

It has aeration vents in the cover and base halfshells and recessed, silk screenable front and back panels. Each halfshell has integral Printed Circuit Board (PCB) guides and mounting studs.

Each Kit Includes

Halfshells	Panel	Screws
2	2	8-SC10

Assembly

1. Slide the panels into the mounting channels in the base.
2. Slide the cover over the panels and onto the base using the tongue and groove arrangement as a guide.
3. Insert and tighten the 8 panhead, self-tapping Phillips screws to secure the halfshells.

Materials

Base and cover: Polystyrene (PS)
 Panels: Aluminum (AL)
 Screws: Steel, Nickel Plated (SP)

Standard Colors

Medium gray, black; matte finish

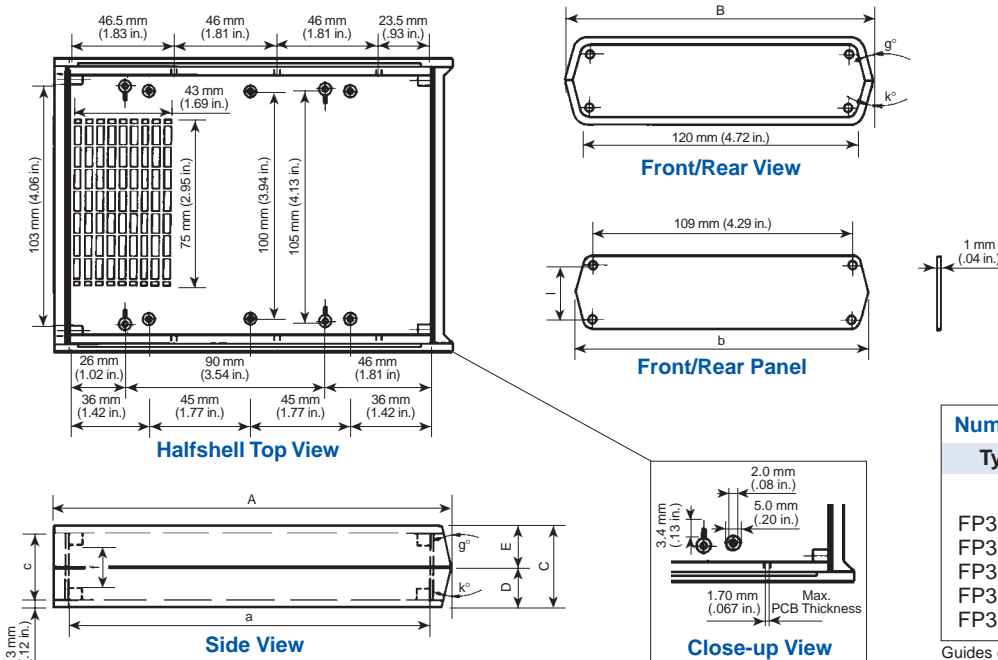


Ordering Information

External Dimensions mm (in.) and Special Notes

Type	Cat. No.		Std. Pk.	A	B	C	D	E
	Med. Gray	Black						
FP3-KL11	94.166	94.171	1	178.0 (7.01)	128.0 (5.04)	36.0 (1.42)	18.0 (0.71)	18.0 (0.71)
FP3-KL12	94.167	94.172	1	178.0 (7.01)	128.0 (5.04)	54.0 (2.13)	18.0 (0.71)	36.0 (1.42)
FP3-KL22	94.168	94.173	1	178.0 (7.01)	128.0 (5.04)	72.0 (2.83)	36.0 (1.42)	36.0 (1.42)
FP3-KL23	94.169	94.174	1	178.0 (7.01)	128.0 (5.04)	90.0 (3.54)	36.0 (1.42)	54.0 (2.13)
FP3-KL33	94.170	94.175	1	178.0 (7.01)	128.0 (5.04)	108.0 (4.25)	54.0 (2.13)	54.0 (2.13)

Color Selection: Medium Gray [M|G] or Black [B|K]



Number of PCB Guides and Mounting Studs		
Type	Guides	Studs
	A	Each Halfshell
FP3-KL11	3	10
FP3-KL12	3	10
FP3-KL22	3	10
FP3-KL23	3	10
FP3-KL33	3	10

Guides column refers to external sides of halfshells.

Internal Dimensions mm (in.)

Type	a	b	c	f	g°	k°	i
FP3-KL11	162.0 (6.38)	122.0 (4.80)	30.0 (1.18)	18.0 (0.71)	13.0	13.0	23.0 (0.91)
FP3-KL12	162.0 (6.38)	122.0 (4.80)	48.0 (1.89)	36.0 (1.42)	7.0	13.0	41.0 (1.61)
FP3-KL22	162.0 (6.38)	122.0 (4.80)	66.0 (2.60)	54.0 (2.13)	7.0	7.0	59.0 (2.32)
FP3-KL23	162.0 (6.38)	122.0 (4.80)	84.0 (3.31)	72.0 (2.83)	5.0	7.0	77.0 (3.03)
FP3-KL33	162.0 (6.38)	122.0 (4.80)	102.0 (4.02)	90.0 (3.54)	5.0	5.0	96.0 (3.78)

Please see page 84 for information on screws.

Please see page 82 for information on accessories.

Please see page 5 for information on packaging.

Front Panel - FP4

It has recessed, silk screenable front and rear panels and non-skid feet. Each halfshell has integral PCB guides and mounting studs. The FP4-931C and FP4-932C have horizontal PCB guides.

Each Kit Includes

Halfshells	Panel	Screws	Other
2	2	2	4 feet

Assembly

1. Slide the panels into the mounting channels in the base.
2. Slide the cover over the panels and onto the base using the tongue and groove arrangement as a guide.
3. Insert and tighten the 2 flathead, self-tapping Phillips screws to secure the halfshells.
4. If desired, adhere the rubber feet to the base.

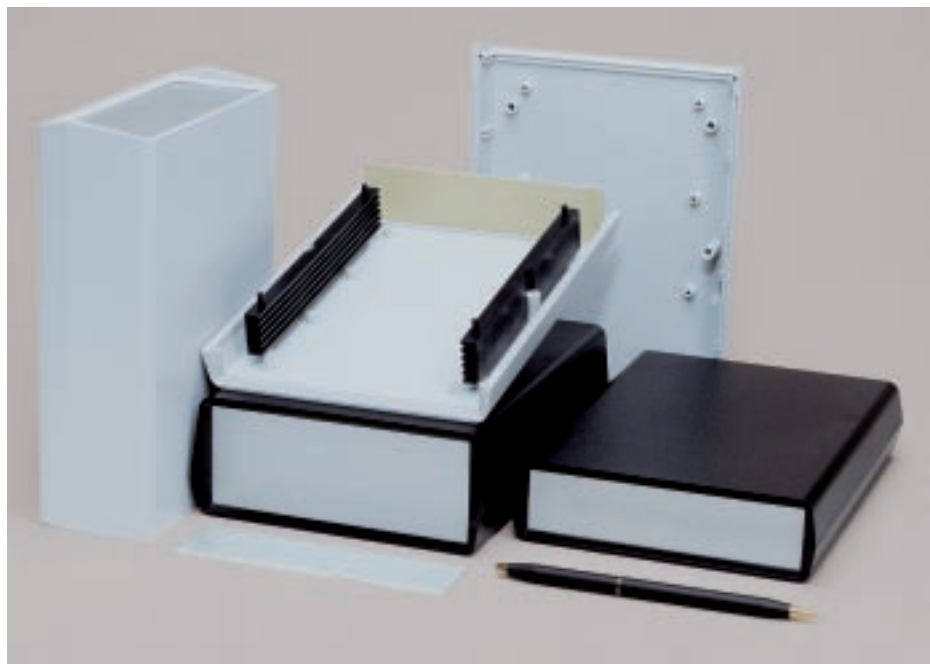
Materials

Halfshells: ABS
 Panels: Aluminum (AL)
 Screws: Steel, Black Finish (SB)

Standard Colors

Light gray, black; matte finish

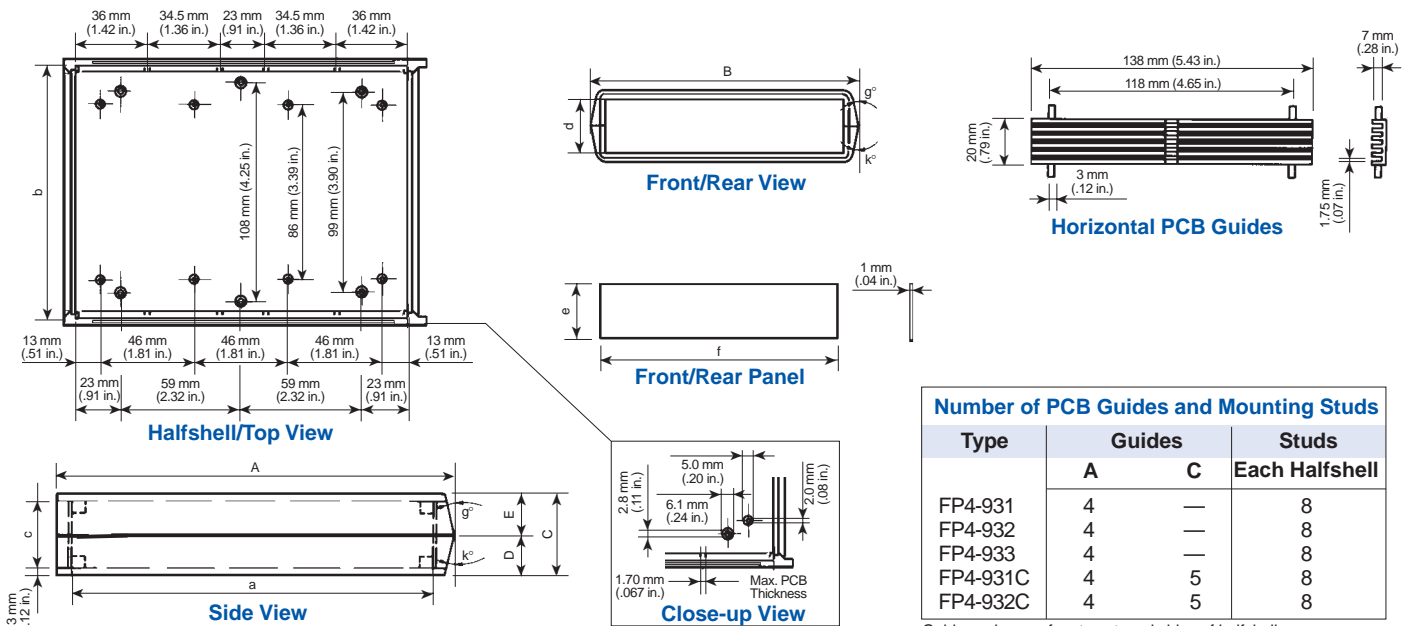
Ordering Information



External Dimensions mm (in.) and Special Notes

Type	Cat. No.		Std. Pk.	A	B	C	D	E	Notes
	Lt. Gray	Black							
FP4-931	94.176	94.182	1	178.0 (7.01)	132.0 (5.20)	36.0 (1.42)	18.0 (.71)	18.0 (.71)	Uses SC3 Screw
FP4-932	94.177	94.183	1	178.0 (7.01)	132.0 (5.20)	54.0 (2.13)	18.0 (.71)	36.0 (1.42)	Uses SC3 Screw
FP4-933	94.178	94.184	1	178.0 (7.01)	132.0 (5.20)	72.0 (2.83)	36.0 (1.42)	36.0 (1.42)	Uses SC6 Screw
FP4-931C	94.188	94.190	1	178.0 (7.01)	132.0 (5.20)	36.0 (1.42)	18.0 (.71)	18.0 (.71)	Uses SC6 Screw
FP4-932C	94.189	94.191	1	178.0 (7.01)	132.0 (5.20)	54.0 (2.13)	18.0 (.71)	36.0 (1.42)	Uses SC6 Screw

Color Selection: Light Gray L G or Black B K



Number of PCB Guides and Mounting Studs

Type	Guides		Studs Each Halfshell
	A	C	
FP4-931	4	—	8
FP4-932	4	—	8
FP4-933	4	—	8
FP4-931C	4	5	8
FP4-932C	4	5	8

Guides column refers to external sides of halfshells.

Internal Dimensions mm (in.)

Type	a	b	c	d	e	f	g°	k°
FP4-931	164.0 (6.46)	117.0 (4.61)	30.0 (1.18)	27.0 (1.06)	29.0 (1.14)	120.0 (4.72)	13.0	13.0
FP4-932	164.0 (6.46)	117.0 (4.61)	48.0 (1.89)	45.0 (1.77)	47.0 (1.85)	120.0 (4.72)	7.0	13.0
FP4-933	164.0 (6.46)	117.0 (4.61)	66.0 (2.60)	63.0 (2.48)	65.0 (2.56)	120.0 (4.72)	7.0	7.0
FP4-931C	164.0 (6.46)	117.0 (4.61)	30.0 (1.18)	27.0 (1.06)	29.0 (1.14)	120.0 (4.72)	13.0	13.0
FP4-932C	164.0 (6.46)	117.0 (4.61)	48.0 (1.89)	45.0 (1.77)	47.0 (1.85)	120.0 (4.72)	7.0	13.0

Please see page 84 for information on screws.

Please see page 82 for information on accessories.

Please see page 5 for information on packaging.

Front Panel - FP5

It has recessed, silk screenable front and rear panels. Each halfshell has integral Printed Circuit Board (PCB) guides and mounting studs.

Each Kit Includes

Halfshells	Panel	Screws	Other
2	2	2	4 feet

Assembly

- Slide the panels into the mounting channels in the base.
- Slide the cover over the panels and onto the base using the tongue and groove arrangement as a guide.
- Insert and tighten the 2 flathead, self-tapping Phillips screws to secure the halfshells.
- If desired, adhere the rubber feet to the base.

Materials

Halfshells: ABS
 Panels: Aluminum (AL)
 Screws: Steel, Nickel Plated (SP)

Standard Colors

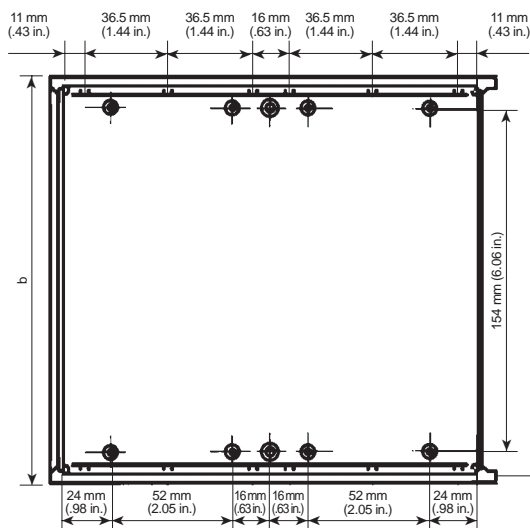
Dark gray, black; matte finish

Ordering Information

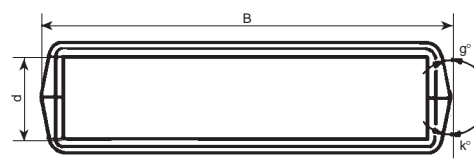
External Dimensions mm (in.) and Special Notes

Type	Cat. No.		Std. Pk.	A	B	C	D	E	Notes
	Dk. Gray	Black							
FP5-934	94.179	94.185	1	198.0 (7.80)	178.0 (7.01)	36.0 (1.42)	18.0 (0.71)	18.0 (0.71)	Uses SC3 Screw
FP5-935	94.180	94.186	1	198.0 (7.80)	178.0 (7.01)	54.0 (2.13)	18.0 (0.71)	36.0 (1.42)	Uses SC3 Screw
FP5-936	94.181	94.187	1	198.0 (7.80)	178.0 (7.01)	72.0 (2.83)	36.0 (1.42)	36.0 (1.42)	Uses SC6 Screw

Color Selection: Dark Gray K or Black K



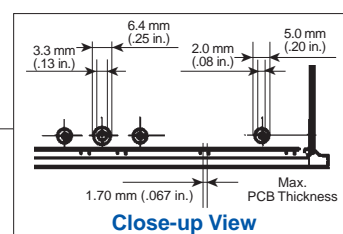
Halfshell Top View



Front/Rear View



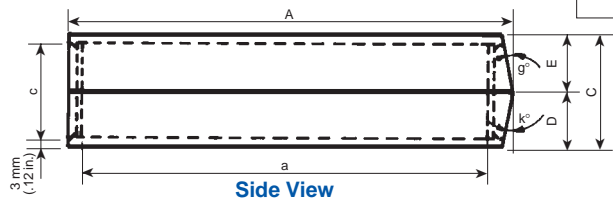
Front/Rear Panel



Close-up View

Number of PCB Guides and Mounting Studs		
Type	Guides	Studs
	A	Each Halfshell
FP5-934	6	8
FP5-935	6	8
FP5-936	6	8

Guides column refers to external sides of halfshells.



Side View

Internal Dimensions mm (in.)								
Type	a	b	c	d	e	f	g°	k°
FP5-934	184.0 (7.24)	163.0 (6.42)	30.0 (1.18)	27.0 (1.06)	29.0 (1.14)	166.0 (6.54)	13.0	13.0
FP5-935	184.0 (7.24)	163.0 (6.42)	48.0 (1.89)	45.0 (1.77)	47.0 (1.85)	166.0 (6.54)	7.0	13.0
FP5-936	184.0 (7.24)	163.0 (6.42)	66.0 (2.60)	63.0 (2.48)	65.0 (2.56)	166.0 (6.54)	7.0	7.0

Please see page 84 for information on screws.

Please see page 82 for information on accessories.

Please see page 5 for information on packaging.

Front Panel - FP6

It has recessed, silk screenable panels and non-skid feet. Each halfshell has integral Printed Circuit Board (PCB) guides and mounting studs.

Each Kit Includes

Halfshells	Panel	Screws	Other
2	2	2-SC3	4 feet

Assembly

- Slide the panels into the mounting channels in the base.
- Slide the cover over the panels and onto the base using the tongue and groove arrangement as a guide.
- Insert and tighten the 2 flathead, self-tapping Phillips screws to secure the halfshells.
- If desired, adhere the rubber feet to the base.

Materials

Halfshells: ABS
 Panels: Aluminum (AL)
 Screws: Steel, Black Finish (SB)

Standard Colors

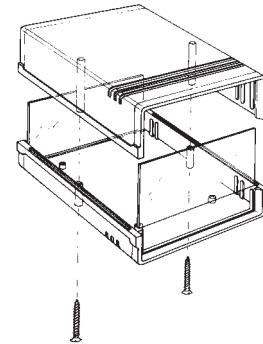
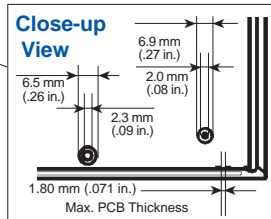
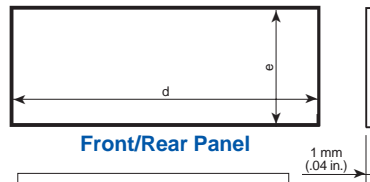
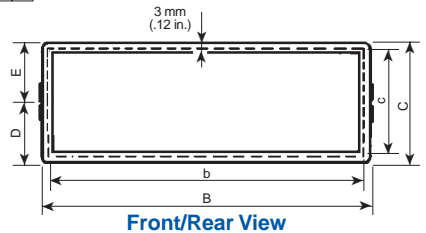
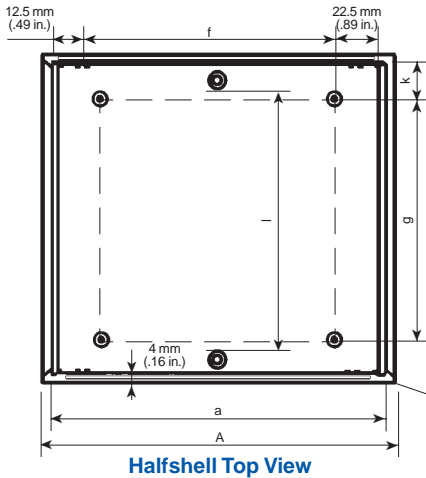
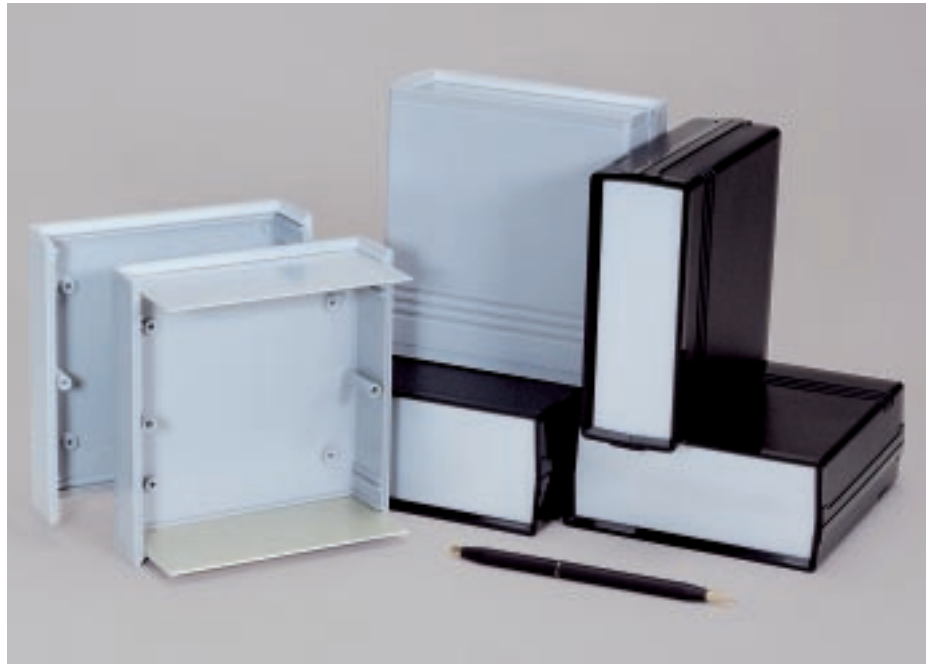
Medium gray, black; matte finish

Ordering Information

External Dimensions mm (in.) and Special Notes

Type	Cat. No.		Std. Pk.	A	B	C	D	E
	Med. Gray	Black						
FP6-011	94.192	94.195	1	134.0 (5.28)	129.0 (5.08)	47.0 (1.85)	23.5 (0.93)	23.5 (0.93)
FP6-012	94.193	94.196	1	134.0 (5.28)	129.0 (5.08)	54.0 (2.13)	23.5 (0.93)	30.5 (1.20)
FP6-022	94.194	94.197	1	134.0 (5.28)	129.0 (5.08)	61.0 (2.40)	30.5 (1.20)	30.5 (1.20)
FP6-222	94.198	94.201	1	173.0 (6.81)	154.0 (6.06)	47.0 (1.85)	23.5 (0.93)	23.5 (0.93)
FP6-223	94.199	94.202	1	173.0 (6.81)	154.0 (6.06)	54.0 (2.13)	23.5 (0.93)	30.5 (1.20)
FP6-233	94.200	94.203	1	173.0 (6.81)	154.0 (6.06)	61.0 (2.40)	30.5 (1.20)	30.5 (1.20)

Color Selection: Medium Gray **[M G]** or Black **[B K]**



Type	Number of PCB Guides and Mounting Studs	
	Guides	Studs
FP6-011	2	4
FP6-012	2	4
FP6-022	2	4
FP6-222	2	4
FP6-223	2	4
FP6-233	2	4

Guides column refers to external sides of halfshells.

Internal Dimensions mm (in.)

Type	a	b	c	d	e	f	g	k	l
FP6-011	121.0 (4.76)	121.0 (4.76)	41.0 (1.61)	120.0 (4.72)	41.0 (1.61)	76.0 (2.99)	91.0 (3.58)	15.0 (.59)	105.5 (4.15)
FP6-012	121.0 (4.76)	121.0 (4.76)	48.0 (1.89)	120.0 (4.72)	48.0 (1.89)	76.0 (2.99)	91.0 (3.58)	15.0 (.59)	105.5 (4.15)
FP6-022	121.0 (4.76)	121.0 (4.76)	55.0 (2.17)	120.0 (4.72)	55.0 (2.17)	76.0 (2.99)	91.0 (3.58)	15.0 (.59)	105.5 (4.15)
FP6-222	160.0 (6.30)	146.0 (5.75)	41.0 (1.61)	145.0 (5.71)	41.0 (1.61)	115.0 (4.53)	111.0 (4.37)	17.5 (.69)	127.0 (5.00)
FP6-223	160.0 (6.30)	146.0 (5.75)	48.0 (1.89)	145.0 (5.71)	48.0 (1.89)	115.0 (4.53)	111.0 (4.37)	17.5 (.69)	127.0 (5.00)
FP6-233	160.0 (6.30)	146.0 (5.75)	55.0 (2.17)	145.0 (5.71)	55.0 (2.17)	115.0 (4.53)	111.0 (4.37)	17.5 (.69)	127.0 (5.00)

Please see page 84 for information on screws.

Please see page 82 for information on accessories.

Please see page 5 for information on packaging.

Front Panel - FP7

It has a rear panel and a 9V battery compartment with a snap-on lid. The recessed front panel is silk screenable. Each halfshell has integral Printed Circuit Board (PCB) guides and mounting studs.

Each Kit Includes

Halfshells	Panel	Screws	Other
2	2	2-SC3	4 feet

Assembly

1. Slide the panels into the mounting channels in the base.
2. Slide the cover over the panels using the tongue and groove arrangement.
3. Insert and tighten the 2 flathead, self-tapping Phillips screws to secure the halfshells.
4. If desired, adhere the rubber feet to the base.

Materials

Halfshells and back panel: ABS
 Front panel: Aluminum (AL)
 Screws: Steel, Black Finish (SB)

Standard Colors

Medium gray, black; matte finish

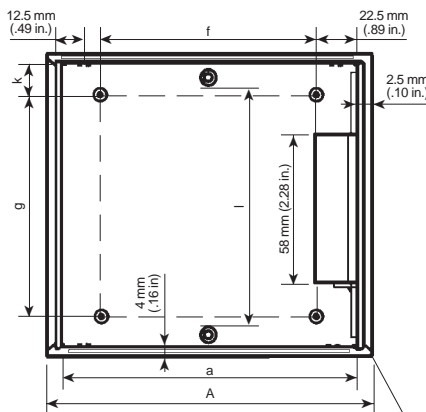


Ordering Information

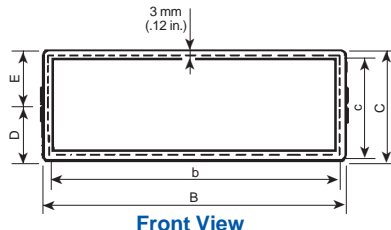
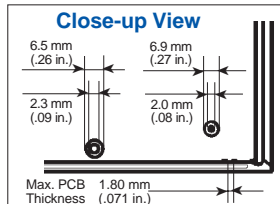
External Dimensions mm (in.) and Special Notes

Type	Cat. No.		Std. Pk.	A	B	C	D	E
	Med. Gray	Black						
FP7-011B	94.204	94.207	1	134.0 (5.28)	129.0 (5.08)	47.0 (1.85)	23.5 (0.93)	23.5 (0.93)
FP7-012B	94.205	94.208	1	134.0 (5.28)	129.0 (5.08)	54.0 (2.13)	23.5 (0.93)	30.5 (1.20)
FP7-022B	94.206	94.209	1	134.0 (5.28)	129.0 (5.08)	61.0 (2.40)	30.5 (1.20)	30.5 (1.20)
FP7-222B	94.210	94.213	1	173.0 (6.81)	154.0 (6.06)	47.0 (1.85)	23.5 (0.93)	23.5 (0.93)
FP7-223B	94.211	94.214	1	173.0 (6.81)	154.0 (6.06)	54.0 (2.13)	23.5 (0.93)	30.5 (1.20)
FP7-233B	94.212	94.215	1	173.0 (6.81)	154.0 (6.06)	61.0 (2.40)	30.5 (1.20)	30.5 (1.20)

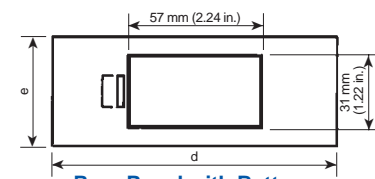
Color Selection: Medium Gray [M|G] or Black [B|K]



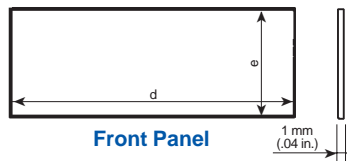
Halfshell Top View



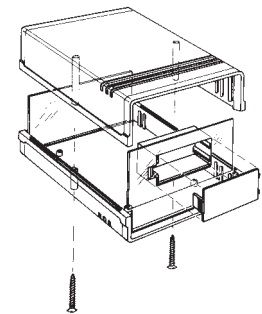
Front View



Rear Panel with Battery Compartment



Front Panel



Type	Guides		Studs Each Halfshell
	A	B	
FP7-011B	2	—	4
FP7-012B	2	—	4
FP7-022B	2	—	4
FP7-222B	2	—	4
FP7-223B	2	—	4
FP7-233B	2	—	4

Guides column refers to external sides of halfshells.

Internal Dimensions mm (in.)

Type	a	b	c	d	e	f	g	k	l
FP7-011B	121.0 (4.76)	121.0 (4.76)	41.0 (1.61)	120.0 (4.72)	41.0 (1.61)	76.0 (2.99)	91.0 (3.58)	15.0 (.59)	105.5 (4.15)
FP7-012B	121.0 (4.76)	121.0 (4.76)	48.0 (1.89)	120.0 (4.72)	48.0 (1.89)	76.0 (2.99)	91.0 (3.58)	15.0 (.59)	105.5 (4.15)
FP7-022B	121.0 (4.76)	121.0 (4.76)	55.0 (2.17)	120.0 (4.72)	55.0 (2.17)	76.0 (2.99)	91.0 (3.58)	15.0 (.59)	105.5 (4.15)
FP7-222B	160.0 (6.30)	146.0 (5.75)	41.0 (1.61)	145.0 (5.71)	41.0 (1.61)	115.0 (4.53)	111.0 (4.37)	17.5 (.69)	127.0 (5.00)
FP7-223B	160.0 (6.30)	146.0 (5.75)	48.0 (1.89)	145.0 (5.71)	48.0 (1.89)	115.0 (4.53)	111.0 (4.37)	17.5 (.69)	127.0 (5.00)
FP7-233B	160.0 (6.30)	146.0 (5.75)	55.0 (2.17)	145.0 (5.71)	55.0 (2.17)	115.0 (4.53)	111.0 (4.37)	17.5 (.69)	127.0 (5.00)

Please see page 84 for information on screws.

Please see page 82 for information on accessories.

Please see page 5 for information on packaging.

Front Panel - FP8

It has recessed, silk screenable front and rear panels. Each halfshell has integral Printed Circuit Board (PCB) guides and mounting studs.

Each Kit Includes

Halfshells	Panel	Screws	Other
2	2	2	4 feet

Assembly

1. Slide the panels into the mounting channels in the base.
2. Slide the cover over the panels and onto the base using the tongue and groove arrangement as a guide.
3. Insert and tighten the 2 flathead, self-tapping Phillips screws to secure the halfshells.
4. If desired, adhere the rubber feet to the base.

Materials

Halfshells: ABS
 Panels: Aluminum (AL)
 Screws: Steel, Black Finish (SB)

Standard Colors

Medium gray, black; matte finish

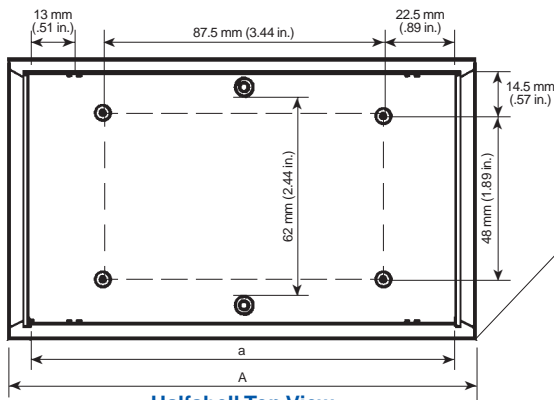


Ordering Information

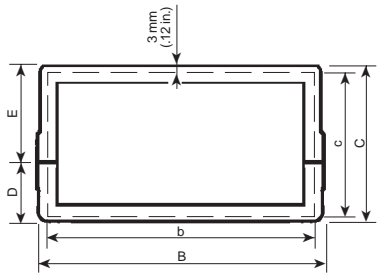
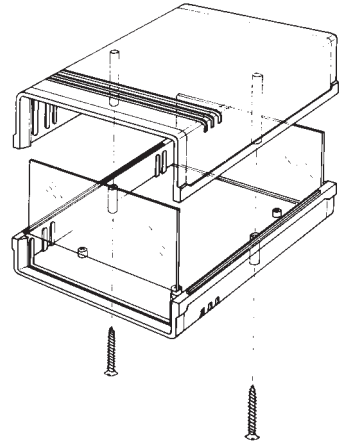
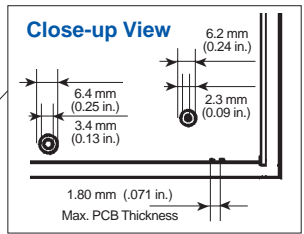
External Dimensions mm (in.) and Special Notes

Type	Cat. No.		Std. Pk.	A	B	C	D	E	Notes
	Med. Gray	Black							
FP8-10001	94.216	94.221	1	145.0 (5.71)	85.0 (3.35)	37.0 (1.46)	18.5 (0.73)	18.5 (0.73)	Uses SC3 Screw
FP8-10002	94.217	94.222	1	145.0 (5.71)	85.0 (3.35)	49.0 (1.93)	18.5 (0.73)	30.5 (1.20)	Uses SC3 Screw
FP8-10003	94.218	94.223	1	145.0 (5.71)	85.0 (3.35)	61.0 (2.40)	30.5 (1.20)	30.5 (1.20)	Uses SC4 Screw

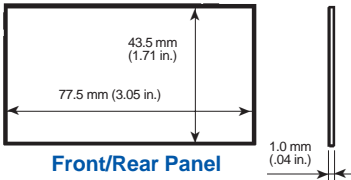
Color Selection: Medium Gray M G or Black B K



Halfshell Top View



Front/Rear View



Front/Rear Panel

Internal Dimensions mm (in.)			
Type	a	b	c
FP8-10001	132.5 (5.22)	77.0 (3.03)	31.0 (1.22)
FP8-10002	132.5 (5.22)	77.0 (3.03)	43.0 (1.69)
FP8-10003	132.5 (5.22)	77.0 (3.03)	55.0 (2.17)

Type	Number of PCB Guides and Mounting Studs	
	Guides	Studs
FP8-10001	2	4
FP8-10002	2	4
FP8-10003	2	4

Guides column refers to external sides of halfshells.

Please see page 84 for information on screws. Please see page 82 for information on accessories. Please see page 5 for information on packaging.

Front Panel - FP9

It has non-skid feet, a 9V battery compartment with a snap-on lid and a recessed, silk screenable front panel. Each halfshell has integral Printed Circuit Board (PCB) guides and mounting studs.

Each Kit Includes

Halfshells	Panel	Screws	Other
2	2	2-SC4	4 Feet

Assembly

1. Slide the panels into the mounting channels in the base.
2. Slide the cover over the panels and onto the base using the tongue and groove arrangement as a guide.
3. Insert and tighten the 2 flathead, self-tapping Phillips screws to secure the halfshells.
4. If desired, adhere the rubber feet to the base.

Materials

Halfshells: ABS
 Panels: Aluminum (AL)
 Screws: Steel, Black Finish (SB)

Standard Colors

Medium gray, black; matte finish

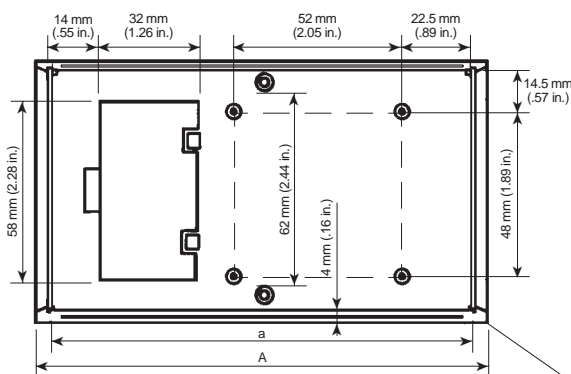
Ordering Information



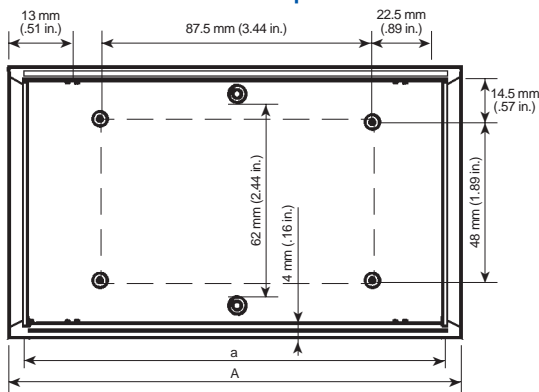
External Dimensions mm (in.) and Special Notes

Type	Cat. No.		Std. Pk.	A	B	C	D	E
	Med. Gray	Black						
FP9-10002B	94.226	94.228	1	145.0 (5.71)	85.0 (3.35)	49.0 (1.93)	30.5 (1.20)	18.5 (.73)
FP9-10003B	94.227	94.229	1	145.0 (5.71)	85.0 (3.35)	61.0 (2.40)	30.5 (1.20)	30.5 (1.20)

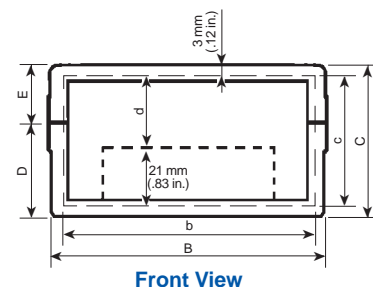
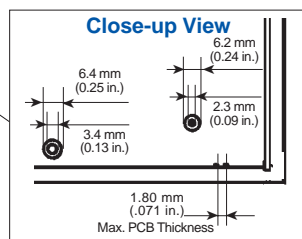
Color Selection: Medium Gray [M][G] or Black [B][K]



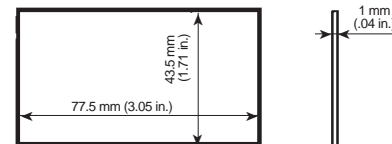
Base Halfshell Top View



Cover Halfshell Top View



Front View



Front Panel

Internal Dimensions mm (in.)				
Type	a	b	c	d
FP9-10002B	132.5 (5.22)	77.0 (3.03)	43.0 (1.69)	22.0 (0.87)
FP9-10003B	132.5 (5.22)	77.0 (3.03)	55.0 (2.17)	34.0 (1.34)

Number of PCB Guides and Mounting Studs		
Type	Guides	Studs
	A	Each Halfshell
FP9-10002B	2	4
FP9-10003B	2	4

Guides column refers to external sides of halfshells.

Please see page 84 for information on screws.

Please see page 82 for information on accessories.

Please see page 5 for information on packaging.

Front Panel - FP10

It has a snap-together design, non-skid feet, recessed, silk screenable front and rear panels and 2 glossy centerbands. Each centerband has integral Printed Circuit Board (PCB) guides on the inside.

Each Kit Includes

Halfshells	Panels	Screws	Other
2	2	—	4 feet

Assembly

1. Snap each centerband to the base, keeping the PCB guides facing in.
2. Slide the panels in either mounting channel.
3. Slide the cover over the panels and snap it to the centerbands.

Materials

Halfshells and centerbands: ABS
 Panels: Aluminum (AL)

Standard Colors

Medium gray, black; matte finish

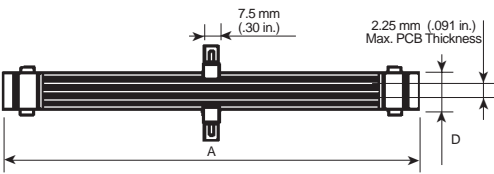
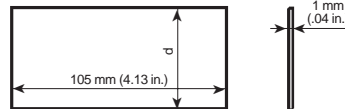
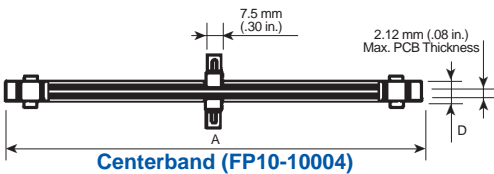
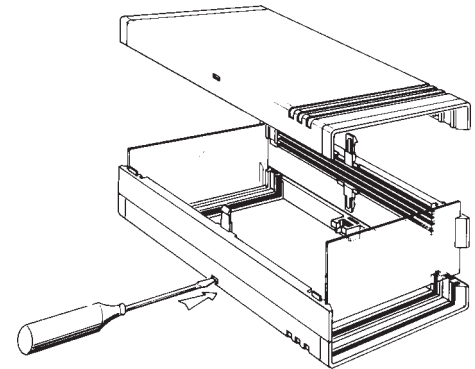
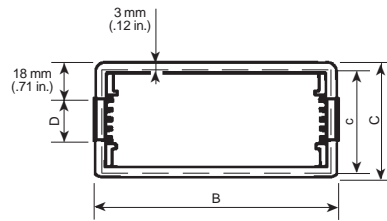
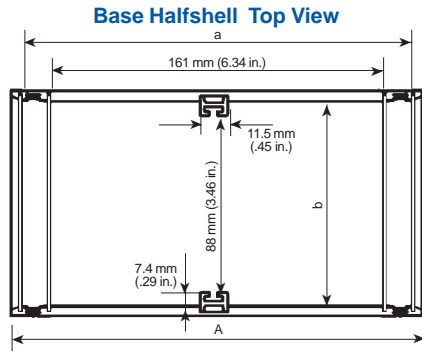


Ordering Information

External Dimensions mm (in.) and Special Notes

Type	Cat. No.		Std. Pk.	A	B	C	D
	Med. Gray	Black					
FP10-10004	94.219	94.224	1	199.5 (7.85)	110.0 (4.33)	46.5 (1.83)	10.5 (0.41)
FP10-10005	94.220	94.225	1	199.5 (7.85)	110.0 (4.33)	56.5 (2.20)	20.5 (0.81)

Color Selection: Medium Gray M[G] or Black B[K]



Internal Dimensions mm (in.)

Type	a	b	c	d
FP10-10004	187.0 (7.36)	104.0 (4.09)	40.5 (1.59)	40.0 (1.57)
FP10-10005	187.0 (7.36)	104.0 (4.09)	50.5 (1.99)	50.0 (1.97)

Number of PCB Guides and Mounting Studs

Type	Number of PCB Guides and Mounting Studs	
	Guides	Studs
FP10-10004	2	—
FP10-10005	4	—

Guides column refers to external sides of halfshells.

Please see page 84 for information on screws.

Please see page 82 for information on accessories.

Please see page 5 for information on packaging.

Front Panel - FP11

It has recessed, silk screenable front and rear panels. The FP11-NE43 has 2 centerbands. Each halfshell has integral Printed Circuit Board (PCB) guides.

Each Kit Includes

Halfshells	Panel	Screws	Other
2	2	2-SC4	4 feet

Assembly

Step 1 is for FP11-NE43 only

1. Place each centerband on the base using the tongue and groove guide.
2. Slide the panels into the mounting channel in the base.
3. Slide the cover over the panels and onto the centerband or base.
4. Insert and tighten the 2 flathead, self-tapping Phillips screws.
5. If desired, attach the rubber feet.

Materials

Halfshells and panels: ABS
Screws: Steel, Black Finish (SB)

Standard Colors

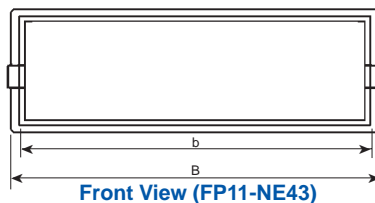
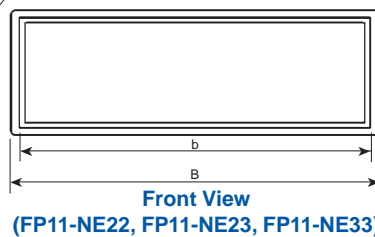
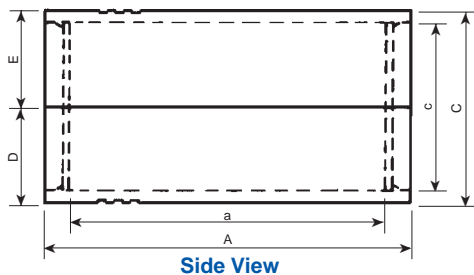
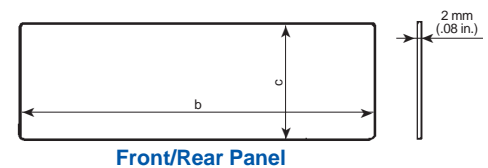
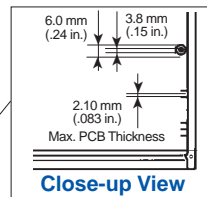
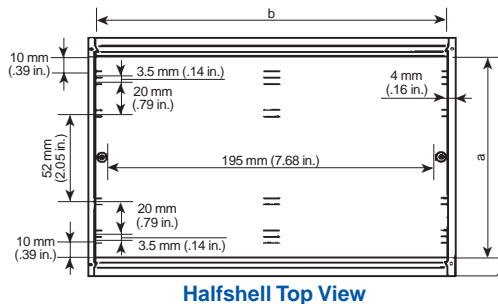
Halfshells: Light gray, black; matte finish
Panels: Light gray; matte finish

Ordering Information

External Dimensions mm (in.) and Special Notes

Type	Cat. No.		Std. Pk.	A	B	C	D	E
	Lt. Gray	Black						
FP11-NE22	94.230	94.234	1	141.5 (5.57)	218.0 (8.58)	63.0 (2.48)	31.5 (1.24)	31.5 (1.24)
FP11-NE23	94.231	94.235	1	141.5 (5.57)	218.0 (8.58)	69.5 (2.74)	31.5 (1.24)	38.0 (1.50)
FP11-NE33	94.232	94.236	1	141.5 (5.57)	218.0 (8.58)	76.0 (2.99)	38.0 (1.50)	38.0 (1.50)
FP11-NE43	94.233	94.237	1	141.5 (5.57)	218.0 (8.58)	76.0 (2.99)	31.5 (1.24)	31.5 (1.50)

Color Selection: Light Gray L G or Black B K



Internal Dimensions mm (in.)			
Type	a	b	c
FP11-NE22	119.0 (4.69)	209.0 (8.23)	56.0 (2.20)
FP11-NE23	119.0 (4.69)	209.0 (8.23)	62.5 (2.46)
FP11-NE33	119.0 (4.69)	209.0 (8.23)	70.0 (2.76)
FP11-NE43	119.0 (4.69)	209.0 (8.23)	70.0 (2.76)

Type	Guides		Studs
	A	Center	Each Halfshell
FP11-NE22	6	6	—
FP11-NE23	6	6	—
FP11-NE33	6	6	—
FP11-NE43	6	6	—

Guides column refers to external sides of halfshells.

Please see page 84 for information on screws.

Please see page 82 for information on accessories.

Please see page 5 for information on packaging.

Front Panel - FP12

It has recessed, silk screenable front and rear panels, centerbands, non-skid feet and integral Printed Circuit Board (PCB) guides and mounting studs.

Each Kit Includes

Halfshells	Panel	Screws	Other
2	2	4	4 feet

Recommended Accessories

Retractable legs

Assembly

1. Place each centerband onto the base using the tongue and groove guide.
2. Slide panels in the mounting channel.
3. Place the screw guides over the mounting posts, fluted side down.
4. Slide the cover over the panels and onto each centerband.
5. Slide the rubber feet onto each mounting screw and tighten.

Materials

Halfshells, panels and centerbands: ABS
Screws: Steel, Galvanized (SG)

Standard Colors

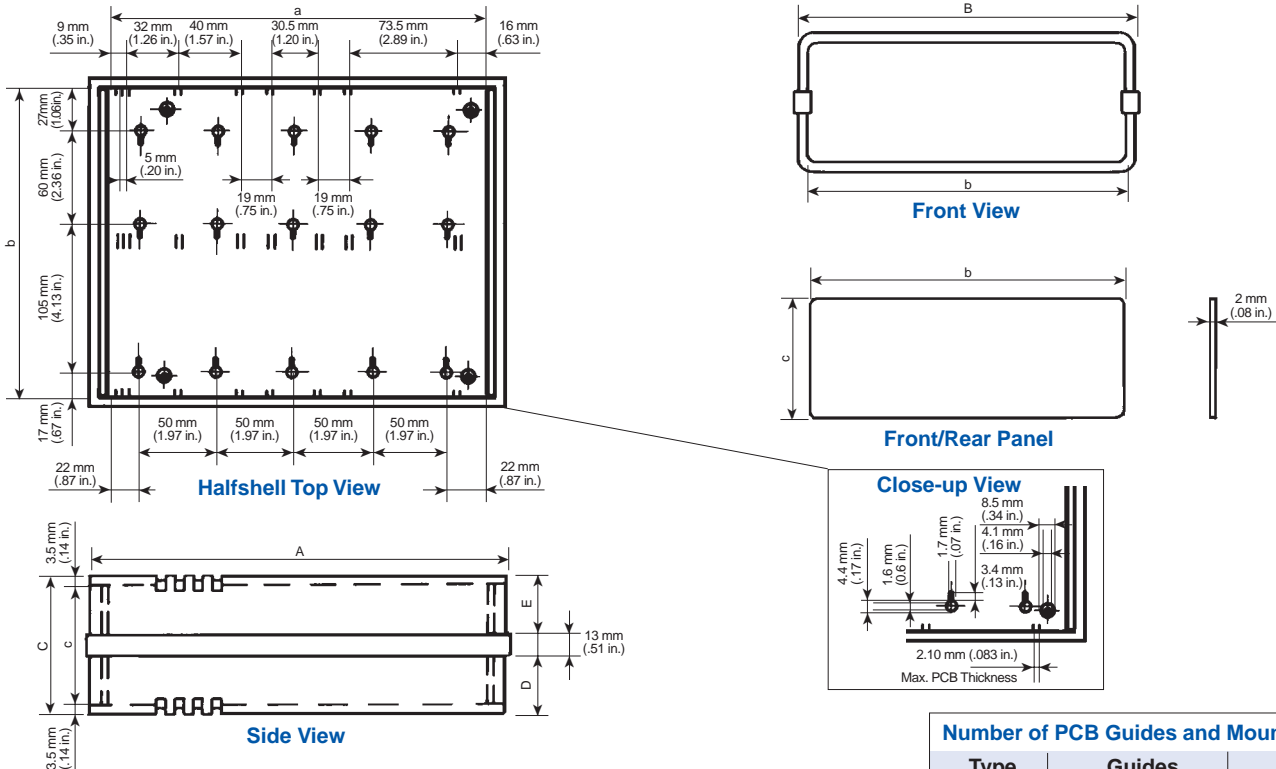
Light gray, black; matte finish

Ordering Information

External Dimensions mm (in.) and Special Notes

Type	Cat. No.		Std. Pk.	A	B	C	D	E	Notes
	Lt. Gray	Black							
FP12-765	94.238	94.241	1	270.0 (10.63)	220.0 (8.66)	63.0 (2.48)	25.0 (0.98)	25.0 (0.98)	Uses SC16 Screw
FP12-766	94.239	94.242	1	270.0 (10.63)	220.0 (8.66)	76.0 (2.99)	25.0 (0.98)	38.0 (1.50)	Uses SC18 Screw
FP12-767	94.240	94.243	1	270.0 (10.63)	220.0 (8.66)	89.0 (3.50)	38.0 (1.50)	38.0 (1.50)	Uses SC19 Screw

Color Selection: Light Gray [L G] or Black [B K]



Internal Dimensions mm (in.)			
Type	a	b	c
FP12-765	244.0 (9.61)	209.0 (8.23)	57.0 (2.24)
FP12-766	244.0 (9.61)	209.0 (8.23)	69.0 (2.72)
FP12-777	244.0 (9.61)	209.0 (8.23)	82.0 (3.23)

Number of PCB Guides and Mounting Studs

Type	Guides		Studs Each Halfshell
	A	Center	
FP12-765	8	8	15
FP12-766	8	8	15
FP12-777	8	8	15

Guides column refers to external sides of halfshells.

Please see page 84 for information on screws.

Please see page 82 for information on accessories.

Please see page 5 for information on packaging.

Front Panel - FP13

It has recessed, silk screenable front and rear panels, centerbands (double centerbands on FP13-863) and integral Printed Circuit Board (PCB) guides and mounting studs.

Each Kit Includes

Halfshells	Panel	Screws	Other
2	2	4	4 feet

Recommended Accessories

Retractable legs

Assembly

1. Place each centerband onto the base using the tongue and groove guide.
2. Align the panels in the mounting channel.
3. Place the screw guides over the mounting posts, fluted side down.
4. Slide the cover over the panels and onto the centerband.
5. Slide the rubber feet onto each mounting screw and tighten.

Materials

Halfshells, panels and centerbands: ABS
Screws: Steel, Galvanized (SG)

Standard Colors

Light gray, black; matte finish

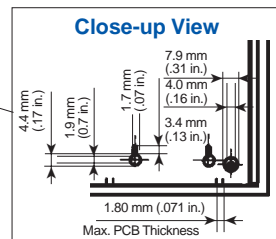
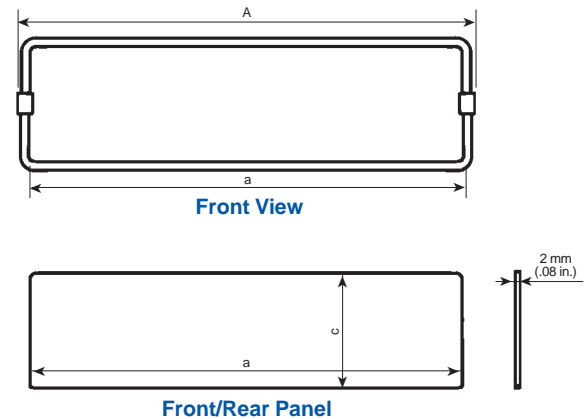
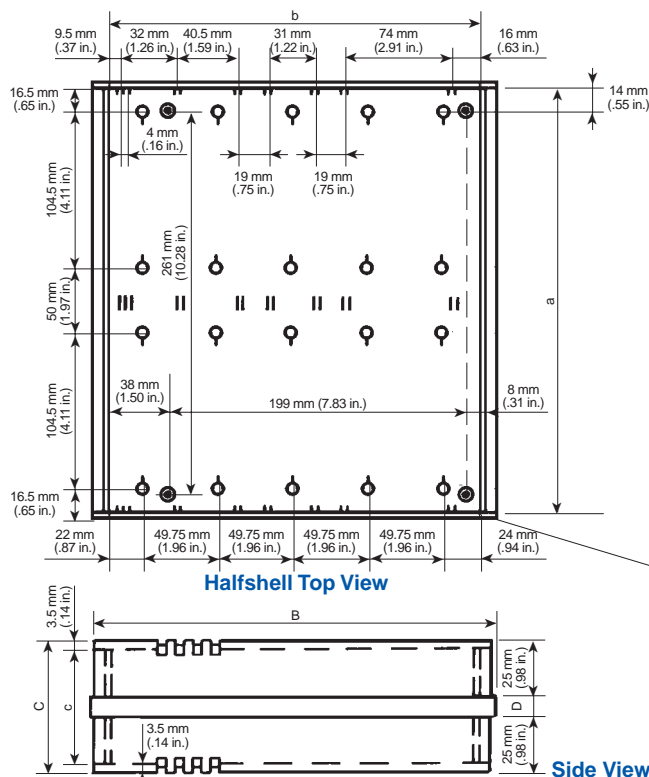


Ordering Information

External Dimensions mm (in.) and Special Notes

Type	Cat. No.		Std. Pk.	A	B	C	D	Notes
	Lt. Gray	Black						
FP13-861	94.244	94.247	1	300.0 (11.81)	270.0 (10.63)	63.0 (2.48)	13.0 (.51)	Uses SC16 Screw
FP13-862	94.245	94.248	1	300.0 (11.81)	270.0 (10.63)	70.5 (2.78)	20.5 (.81)	Uses SC17 Screw
FP13-863	94.246	94.249	1	300.0 (11.81)	270.0 (10.63)	91.0 (3.58)	41.0 (1.61)	Uses SC17 Screw

Color Selection: Light Gray [L G] or Black [B K]



Number of PCB Guides and Mounting Studs

Type	Guides		Studs
	A	Center	
FP13-861	8	8	20
FP13-862	8	8	20
FP13-863	8	8	20

Guides column refers to external sides of halfshells.

Internal Dimensions mm (in.)			
Type	a	b	c
FP13-861	289.0 (11.38)	244.0 (9.61)	57.0 (2.24)
FP13-862	289.0 (11.38)	244.0 (9.61)	64.5 (2.54)
FP13-863	289.0 (11.38)	244.0 (9.61)	85.0 (3.35)

Please see page 84 for information on screws.

Please see page 82 for information on accessories.

Please see page 5 for information on packaging.