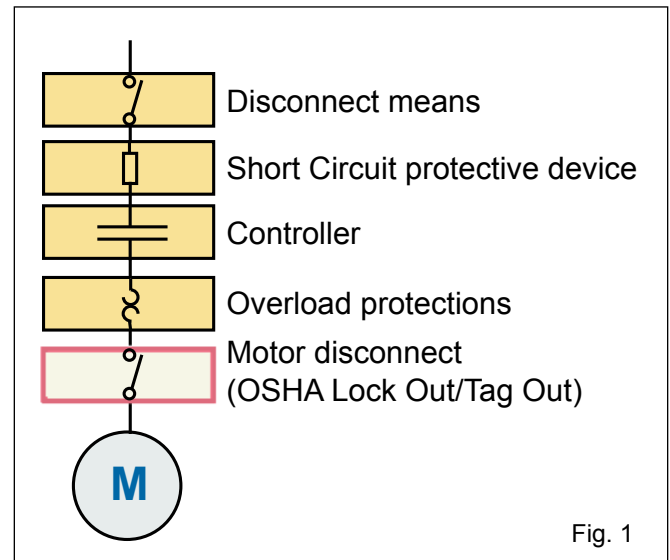


General information

The eOT series of enclosed manual motor controllers are rotary operated, 3 pole, 600V Hp rated switches, housed in thermoplastic/polycarbonate enclosures suitable for wet and corrosive environments.

- NEMA 3R/12 & NEMA 4/4X versions
 - 3R/12; equipped with selector handle
 - 4/4X; equipped with pistol handle ①
- 2 Handle color options
 - Standard black/red handle
 - Emergency red/yellow handle
- Available with and without 1 NO auxiliary contact installed

eOT products are properly installed on the load side of a branch circuit protective device and are suitable for use as motor disconnects as illustrated in Fig. 1.



Ordering data

NEMA 3R/12



Handle Type	Handle Color	Amp Rating	Auxiliary Contacts	Catalog Number	List Price
Selector	Black	16	--	EOT16U3P3-S	\$ 250
Selector	Black	40	--	EOT32U3P3-S	300
Selector	Black	60	--	EOT45U3P3-S	325
Pistol	Black	80	--	EOT63U3P3-P	355
Selector	Black	16	1 NO	EOT16U3P3-1S	305
Selector	Black	40	1 NO	EOT32U3P3-1S	370
Selector	Black	60	1 NO	EOT45U3P3-1S	405
Pistol	Black	80	1 NO	EOT63U3P3-1P	435
Selector	Red/Yellow	16	--	EOT16U3P3-S1	250
Selector	Red/Yellow	40	--	EOT32U3P3-S1	300
Selector	Red/Yellow	60	--	EOT45U3P3-S1	325
Pistol	Red/Yellow	80	--	EOT63U3P3-P1	355
Selector	Red/Yellow	16	1 NO	EOT16U3P3-1S1	305
Selector	Red/Yellow	40	1 NO	EOT32U3P3-1S1	370
Selector	Red/Yellow	60	1 NO	EOT45U3P3-1S1	405
Pistol	Red/Yellow	80	1 NO	EOT63U3P3-1P1	435

NEMA 4/4X



Pistol	Black	16	--	EOT16U3P4-P	\$ 270
Pistol	Black	40	--	EOT32U3P4-P	325
Pistol	Black	60	--	EOT45U3P4-P	365
Pistol	Black	80	--	EOT63U3P4-P	385
Pistol	Black	16	1 NO	EOT16U3P4-1P	335
Pistol	Black	40	1 NO	EOT32U3P4-1P	400
Pistol	Black	60	1 NO	EOT45U3P4-1P	445
Pistol	Black	80	1 NO	EOT63U3P4-1P	475
Pistol	Red/Yellow	16	--	EOT16U3P4-P1	270
Pistol	Red/Yellow	40	--	EOT32U3P4-P1	325
Pistol	Red/Yellow	60	--	EOT45U3P4-P1	365
Pistol	Red/Yellow	80	--	EOT63U3P4-P1	385
Pistol	Red/Yellow	16	1 NO	EOT16U3P4-1P1	335
Pistol	Red/Yellow	40	1 NO	EOT32U3P4-1P1	400
Pistol	Red/Yellow	60	1 NO	EOT45U3P4-1P1	445
Pistol	Red/Yellow	80	1 NO	EOT63U3P4-1P1	475

BOLD text denotes in-stock items.

Accessories for eOT16 – eOT63

Description	For use on	AC thermal amp rating	AC rated voltage	Catalog number
Auxiliary contacts ②				
NO, mounts on right side of the switch only	eOT16 - 63	10	600	OA1G10
NC, mounts on left side of the switch only		10	600	OA1G01
4th pole ③				
4th pole	eOT16 & eOT32	40	600	OTPS32EP
4th pole, late-break / early-make function		40	600	OTPL32EP
4th pole	eOT45 & eOT63	80	600	OTPS63EP
4th pole, late-break / early-make function		80	600	OTPL63EP

① Due to torque requirements, the eOT63 is equipped with a pistol handle for both 3X/12 & 4/4X versions.

② Maximum number of auxiliary contacts: 2NO + 1NC.

③ Only one additional pole per switch.



ABB Inc.
1206 Hatton Road
Wichita Falls, TX 76302
Telephone 888-385-1221; 940-397-7000
Fax 940-397-7085
<http://www.abb-control.com>

Publication LV/097
No. 1SXU 310 097 B0201
Printed in USA, November, 2007

Enclosed disconnect switches eOT Manual motor controllers

eOT



**Move to
modern
enclosed
disconnect
switch
technology**

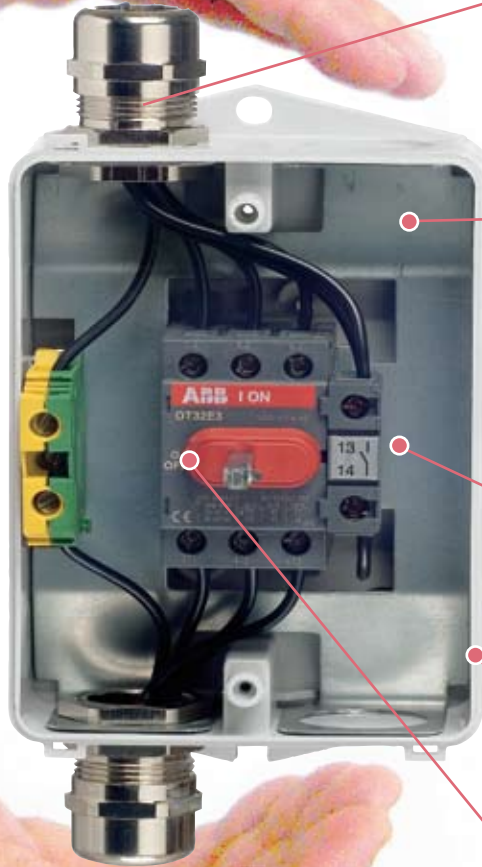


The next generation of enclosed disconnect switches...

Cutting edge design and technology in the palm of your hand.

Outstanding features

- cUL approval & UL508 Listed
- Suitable as motor disconnect
- Horsepower rated
- Touch safe construction
- Positive operation
- Clear position indication
- Self lifting tunnel terminals
- Extremely compact size
- Accessories
 - 4th Power pole
 - Snap-on auxiliary contacts



Combination conduit knock-outs are provided, two each in the top and bottom of the enclosure. No drilling required, no mess to clean up - simple and fast installation.

Metallic base plate electrically bonds together all conduit hubs installed in the top and bottom of the enclosure - additional conduit bonding jumpers are not required.

Enclosure installs flush on mounting surface, reducing the accumulation of dirt behind the enclosure.

Sealed enclosure cover is water tight, suitable for hose-down environments (Type 4X version only).

Feature rich OT switch ensures reliable switching time after time.



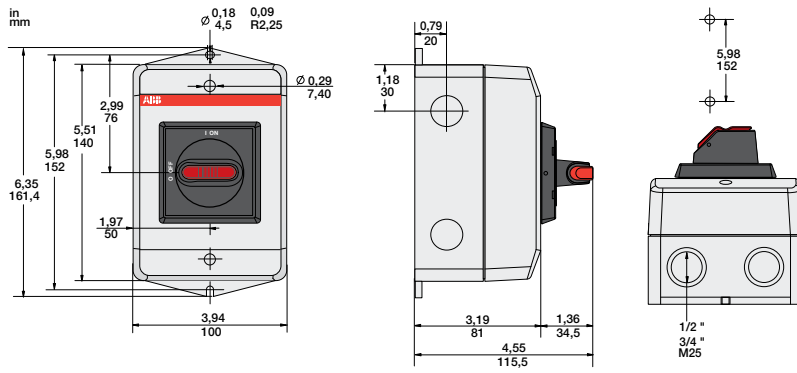
Technical Data

		eOT16	eOT32	eOT45	eOT63
Approvals	3 pole	cUL/IEC947-3	cUL/IEC947-3	cUL/IEC947-3	cUL/IEC947-3
UL Amperage Rating		16	40	60	80
Max Horsepower rating					
Three Phase					
200V-208V	HP/A	3/10.6	10/30.8	15/46.2	20/60.0
240V	HP/A	6/15.2	10/28.0	15/42.0	20/54.0
480V	HP/A	10/14.0	20/27.0	30/40.0	40/52.0
600V	HP/A	10/11.0	25/27.0	30/32.0	40/41.0
Single Phase					
120V	HP/A	1 / 6	2/24.0	2/24.0	2/24.0
240V	HP/A	2/13.2	5/30.8	7.5/40	10/57.5
Interrupting Capacity with fuse					
Fuse Type CC	kA	10 / -	10 / -	- / -	- / -
Fuse Type J	kA	10 / 10	10 / 10	100 / -	100 / -
Fuse Type T	kA	10 / 10	10 / 10	100 / -	100 / -
Fuse Type RK1	kA	10 / -	10 / -	- / -	- / -
Fuse Type RK5	kA	5 / 5	5 / 5	10 / 5	10 / 5
Fuse Type L	kA	- / -	- / -	- / -	- / -
Fuse Type H	kA	- / -	- / -	- / 5	- / 5
Maximum Fuse Size	A	30 / 60 ①	30 / 60 ①	100 / 150	100 / 150
Endurances					
Min. electrical endurance power factor = 0.75 - 0.8	operation cycles	6000	6000	600	6000
Min. electrical endurance power factor = 0.40 - 0.50	operation cycles	1000	1000	100	1000
Mechanical endurance	operations	20000	20000	20000	20000
Switch operating torque	lbs./in.	8.8	8.8	10.5	10.5
Knock-outs	Ends	4 x 1/2" or 4 x 3/4"	4 x 1/2" or 4 x 3/4"	4 x 3/4" or 4 x 1"	4 x 1" of 4 x 1 1/4"
Terminal Lug Kits		Not required	Not required	Not required	Not required
Wire Range	AWG	#18-8	#18-8	#14-1	#14-1
Wire Tightening Torque	lbs. in.	7	7	18	18
Lug Mounting	lbs. in.	Integral	Integral	Integral	Integral
Auxiliary Contacts		OA1G_	OA1G_	OA1G_	OA1G_
NEMA ratings, AC		A600	AC600	AC600	AC600
AC rated voltage	VAC	600	600	600	600
AC rated thermal current	A	10	10	10	10
AC maximum volt-ampere making	VAC	7200	7200	7200	7200
AC maximum volt-amperage breaking	VAC	720	720	720	720
NEMA ratings, DC		R300	R300	R300	R300
DC rated voltage	VDC	300	300	300	300
DC thermal rated current	A	1	1	1	1
DC maximum make-break	VA	28	28	28	28
Torque: wire tightening	lbs./in.	7	7	7	7
Wire Range	AWG	#18-14	#18-14	#18-14	#18-14

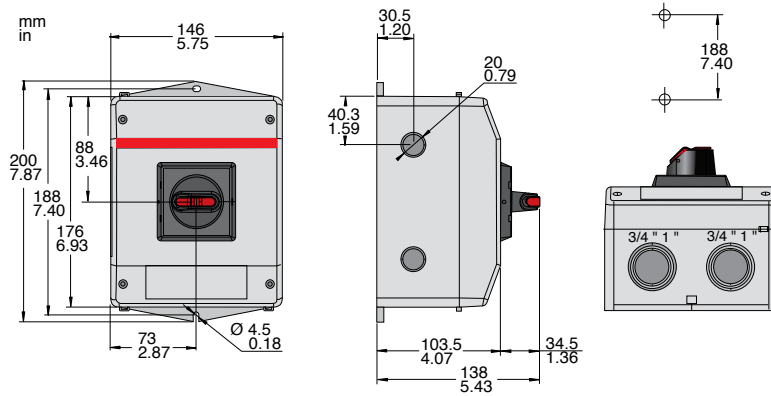
① Fuse size 70A for RK5

Approximate dimensions

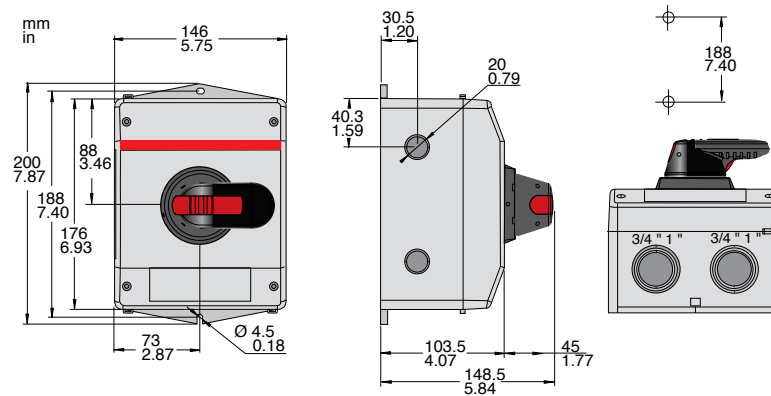
eOT16_, eOT32_ (enclosure size 1)



eOT45U_ (enclosure size 2)



eOT45U_ (enclosure size 2)



eOT63_3 (enclosure size 3)

